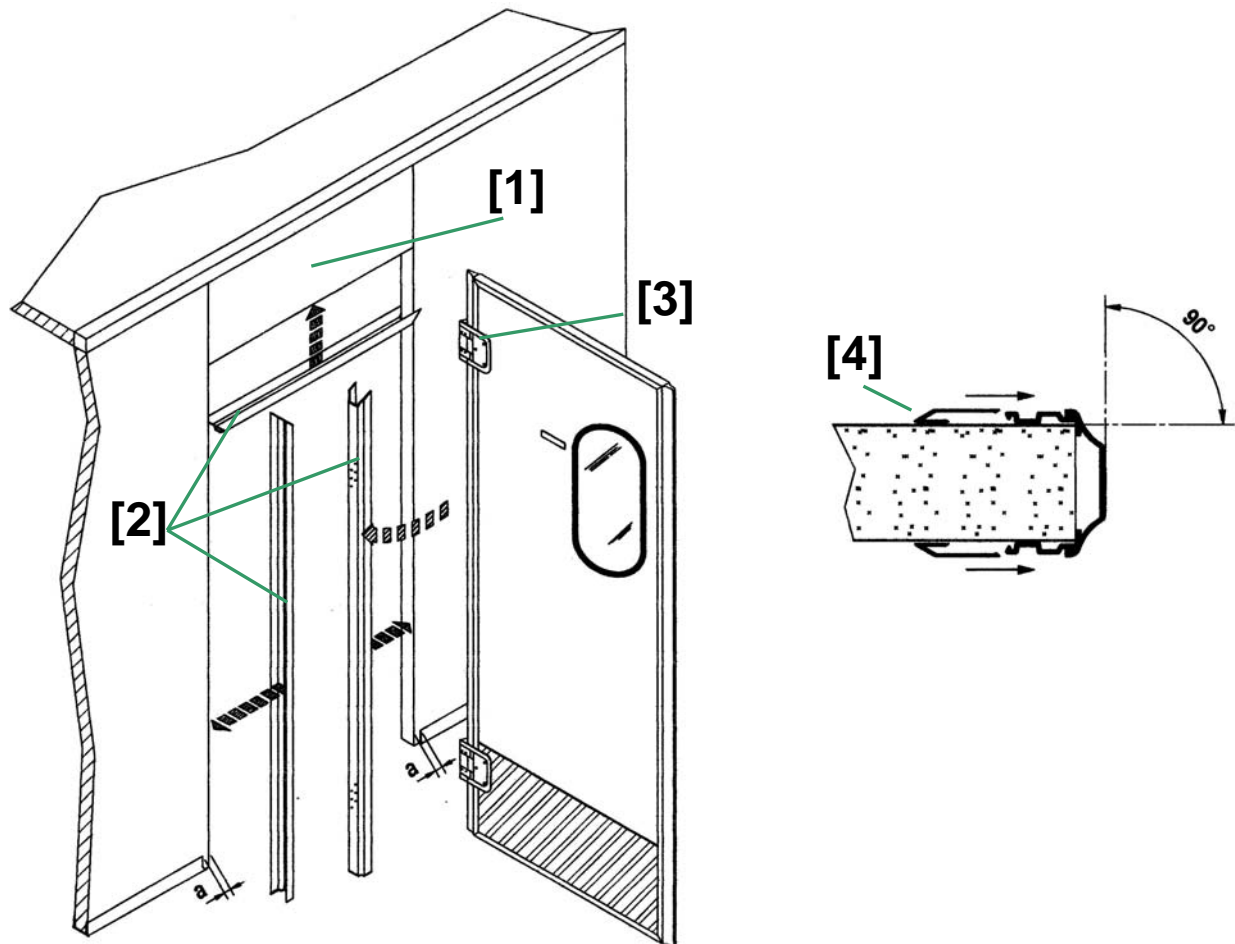
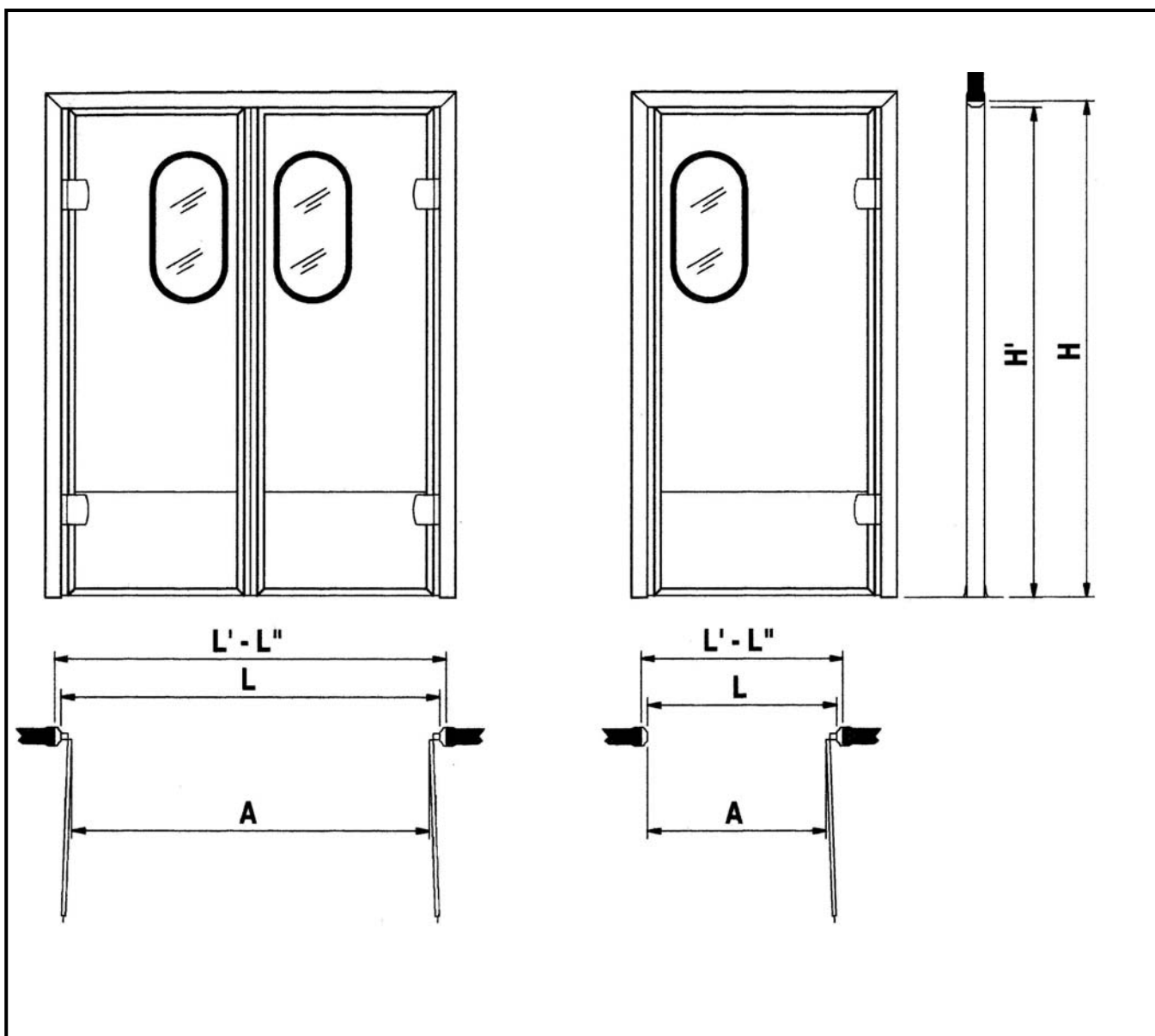


ISTRUZIONI PER L'INSTALLAZIONE, USO E MANUTENZIONE

PORTA A VENTO SERIE 2008

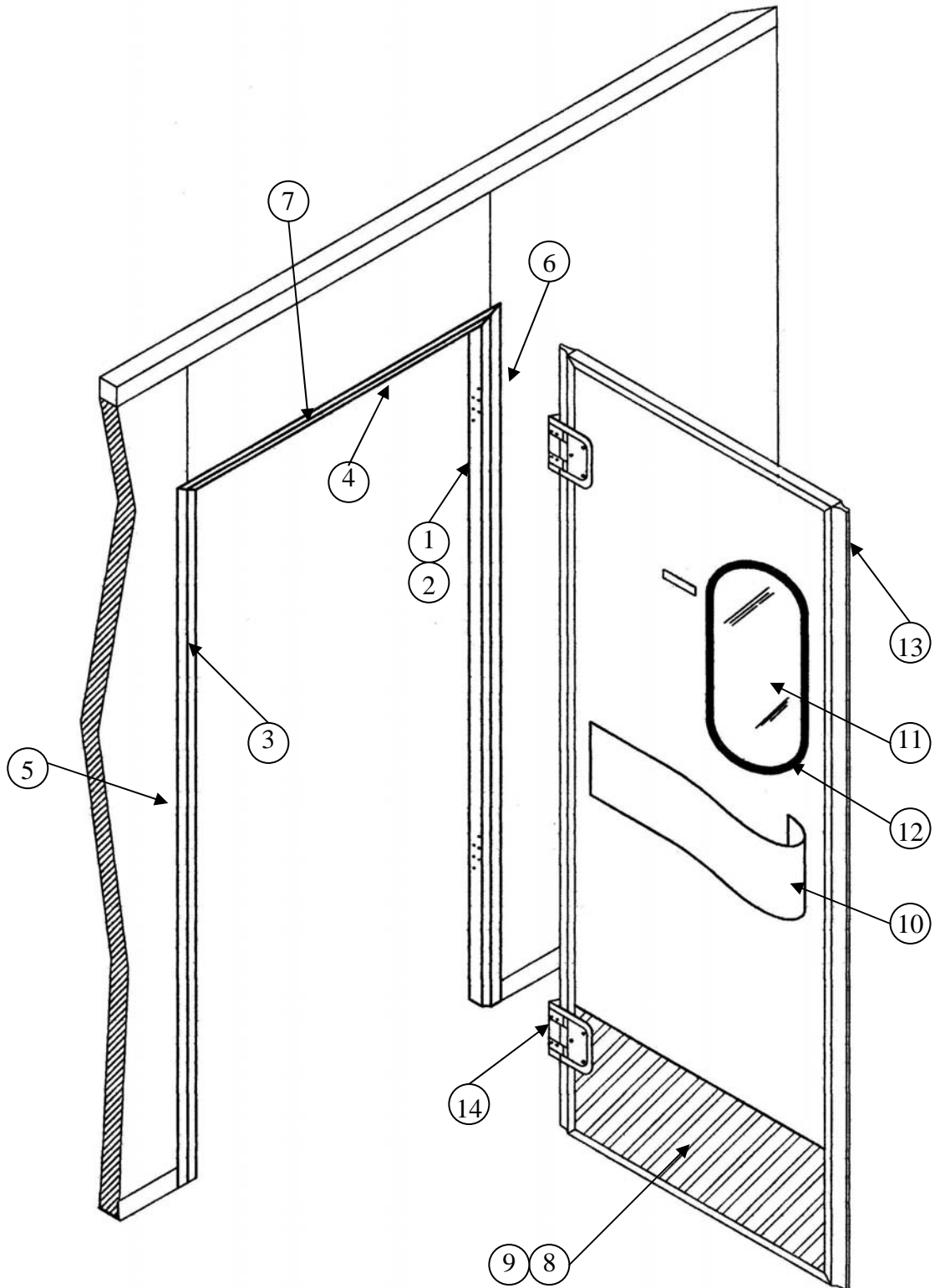


- 1- Verificare che il vano porta sia delle dimensioni previste (vedi tabella) e che, se è presente un pannello sopra luce [1], questo sia perfettamente in piano con gli altri pannelli. Nelle porte a due ante sono presenti due listelli in legno disposti nei montanti verticali. Se il vano è predisposto a dimensioni [L''] (pannelli industriali) i listelli devono essere tolti.
- 2- Applicare i profili del telaio [2] (prima quello orizzontale poi i due verticali) sul vano porta verificando la messa a piombo dei montanti verticali e la loro distanza (sia in alto che in basso) che deve corrispondere alla quota [L] in tabella.
- 3- Fissare i profili con i rivetti (in dotazione) su ambedue i lati.
- 4- Montare le coperture [4] dei profili.
- 5- Montare l'anta fissando le cerniere sul montante (mantenendo l'anta aperta a 90°) con le apposite viti in dotazione (M6). Ruotare l'anta di 180° e completare il fissaggio delle cerniere.



MODELLO	L	COMMERCIALE		INDUSTRIALE		H	H'	N° ANTE	LUCE NETTA AxH'	SPESSORE PARETE
		L'	a	L''	a					
PV 8/200	768	800	50	800	50	2000	1985	1	710x1985	S6-S8-S10
PV 8/220	768	800	50	800	50	2200	2185	1	710x2185	S6-S8-S10
PV10/200	968	1000	50	1000	50	2000	1985	1	910x1985	S6-S8-S10
PV10/220	968	1000	50	1000	50	2200	2185	1	910x2185	S6-S8-S10
PV12/200	1168	1200	50	1200	50	2000	1985	1	1110x1985	S6-S8-S10
PV12/220	1168	1200	50	1200	50	2200	2185	1	1110x2185	S6-S8-S10
PV14/220	1334	1400	35	1366	50	2200	2185	2	1220x2185	S6-S8-S10
PV14/240	1334	1400	35	1366	50	2400	2385	2	1220x2385	S6-S8-S10
PV16/200	1534	1600	35	1566	50	2000	1985	2	1420x1985	S6-S8-S10
PV16/240	1534	1600	35	1566	50	2400	2385	2	1420x2385	S6-S8-S10
PV20/240	1934	2000	35	1966	50	2400	2385	2	1820x2385	S6-S8-S10
PV24/240	2334	2400	35	2366	50	2400	2385	2	2220x2385	S6-S8-S10

PARTI DI RICAMBIO - SPARE PARTS



[1] MONTANTE CON FORI 2 CERNIERE	
S6 H200	027712
S6 H220	027713
S6 H240	027714
S8 H200	027715
S8 H220	027716
S8 H240	027717
S10 H200	027718
S10 H220	027719
S10 H240	027720

[1] UPRIGHTS WITH HOLES 2 HINGES	
S6 H200	027712
S6 H220	027713
S6 H240	027714
S8 H200	027715
S8 H220	027716
S8 H240	027717
S10 H200	027718
S10 H220	027719
S10 H240	027720

[2] MONTANTE CON FORI 3 CERNIERE	
S6 H200	027721
S6 H220	027722
S6 H240	027723
S8 H200	027724
S8 H220	027725
S8 H240	027726
S10 H200	027727
S10 H220	027728
S10 H240	027729

[2] UPRIGHTS WITH HOLES 3 HINGES	
S6 H200	027721
S6 H220	027722
S6 H240	027723
S8 H200	027724
S8 H220	027725
S8 H240	027726
S10 H200	027727
S10 H220	027728
S10 H240	027729

[3] MONTANTE SENZA FORI	
S6 H200	026724
S6 H220	026726
S6 H240	026728
S8 H200	026733
S8 H220	026735
S8 H240	026737
S10 H200	026742
S10 H220	026744
S10 H240	026746

[3] UPRIGHTS WITHOUT HOLES	
S6 H200	026724
S6 H220	026726
S6 H240	026728
S8 H200	026733
S8 H220	026735
S8 H240	026737
S10 H200	026742
S10 H220	026744
S10 H240	026746

[4] TRAVERSA	
S6 PV 8	026785
S6 PV10	026786
S6 PV12	026787
S6 PV14	027731
S6 PV16	026788
S6 PV20	026789
S6 PV24	027735
S8 PV 8	026790
S8 PV10	026791
S8 PV12	026792
S8 PV14	027732
S8 PV16	026793
S8 PV20	026794
S8 PV24	027736
S10 PV 8	026795
S10 PV10	026796
S10 PV12	026797
S10 PV14	027733
S10 PV16	026798
S10 PV20	026799
S10 PV24	027737

[4] CROSSBAR	
S6 PV 8	026785
S6 PV10	026786
S6 PV12	026787
S6 PV14	027731
S6 PV16	026788
S6 PV20	026789
S6 PV24	027735
S8 PV 8	026790
S8 PV10	026791
S8 PV12	026792
S8 PV14	027732
S8 PV16	026793
S8 PV20	026794
S8 PV24	027736
S10 PV 8	026795
S10 PV10	026796
S10 PV12	026797
S10 PV14	027733
S10 PV16	026798
S10 PV20	026799
S10 PV24	027737

[5] [6] COPERTURA MONTANTE	
H200 SX	026718
H220 SX	026720
H240 SX	026722
H200 DX	026717
H220 DX	026719
H240 DX	026721

[5] [6] UPRIGHTS COVER	
H200 SX	026718
H220 SX	026720
H240 SX	026722
H200 DX	026717
H220 DX	026719
H240 DX	026721

[7] COPERTURA TRAVERSA	
PV 8	026764
PV10	026765
PV12	026766
PV14	027734
PV16	026767
PV20	026768
PV24	027738

[7] CROSSBAR COVER	
PV 8	026764
PV10	026765
PV12	026766
PV14	027734
PV16	026767
PV20	026768
PV24	027738

[8] PARACOLPI (310)	
PV8 - PV16 DX	027679
PV10 - PV20 DX	027681
PV12 - PV24 DX	027683
PV 14 DX	027685
PV8 - PV16 SX,	027678
PV10 - PV20 SX	027680
PV12 - PV24 SX	027682
PV 14 SX	027684

[8] BUMPERS (310)	
PV8 - PV16 DX	027679
PV10 - PV20 DX	027681
PV12 - PV24 DX	027683
PV 14 DX	027685
PV8 - PV16 SX,	027678
PV10 - PV20 SX	027680
PV12 - PV24 SX	027682
PV 14 SX	027684

[9] OPZIONE PARACOLPI (620)	
PV8 - PV16 DX	027742
PV10 - PV20 DX	027744
PV12 - PV24 DX	027746
PV 14 DX	027748
PV8 - PV16 SX,	027741
PV10 - PV20 SX	027743
PV12 - PV24 SX	027745
PV 14 SX	027747

[9] OPTION BUMPERS (620)	
PV8 - PV16 DX	027742
PV10 - PV20 DX	027744
PV12 - PV24 DX	027746
PV 14 DX	027748
PV8 - PV16 SX,	027741
PV10 - PV20 SX	027743
PV12 - PV24 SX	027745
PV 14 SX	027747

[10] OPZIONE BUMPER	
PV8 - PV16	011018
PV10 - PV20	011019
PV12 - PV24	011020
PV14	028428

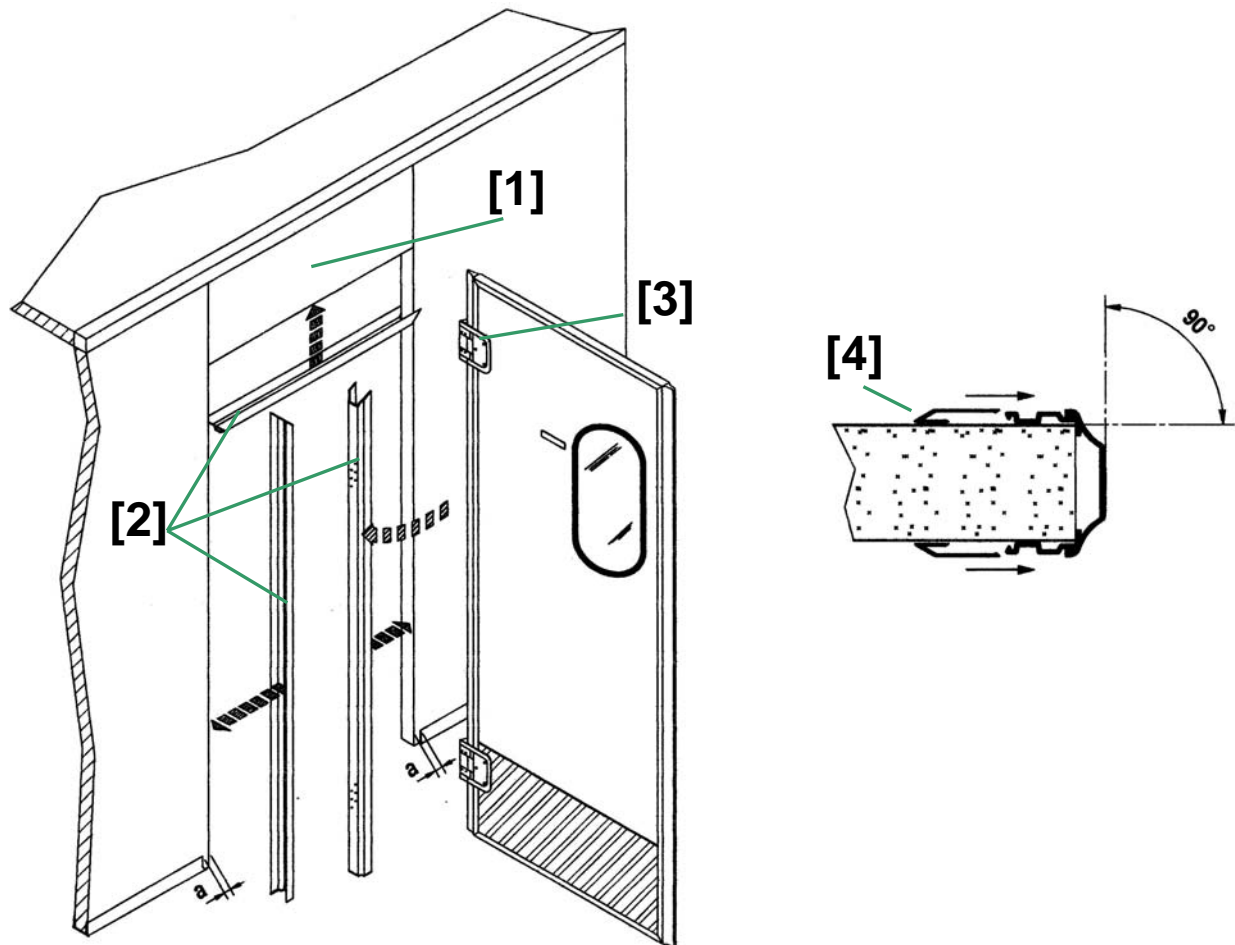
[10] OPTION BUMPER	
PV8 - PV16	011018
PV10 - PV20	011019
PV12 - PV24	011020
PV14	028428

[11] VETRO OBLO'	013848
[12] GUARNIZIONE OBLO'	010986
[13] GUARNIZIONE PROFILO	011014
[14] CERNIERA	014521

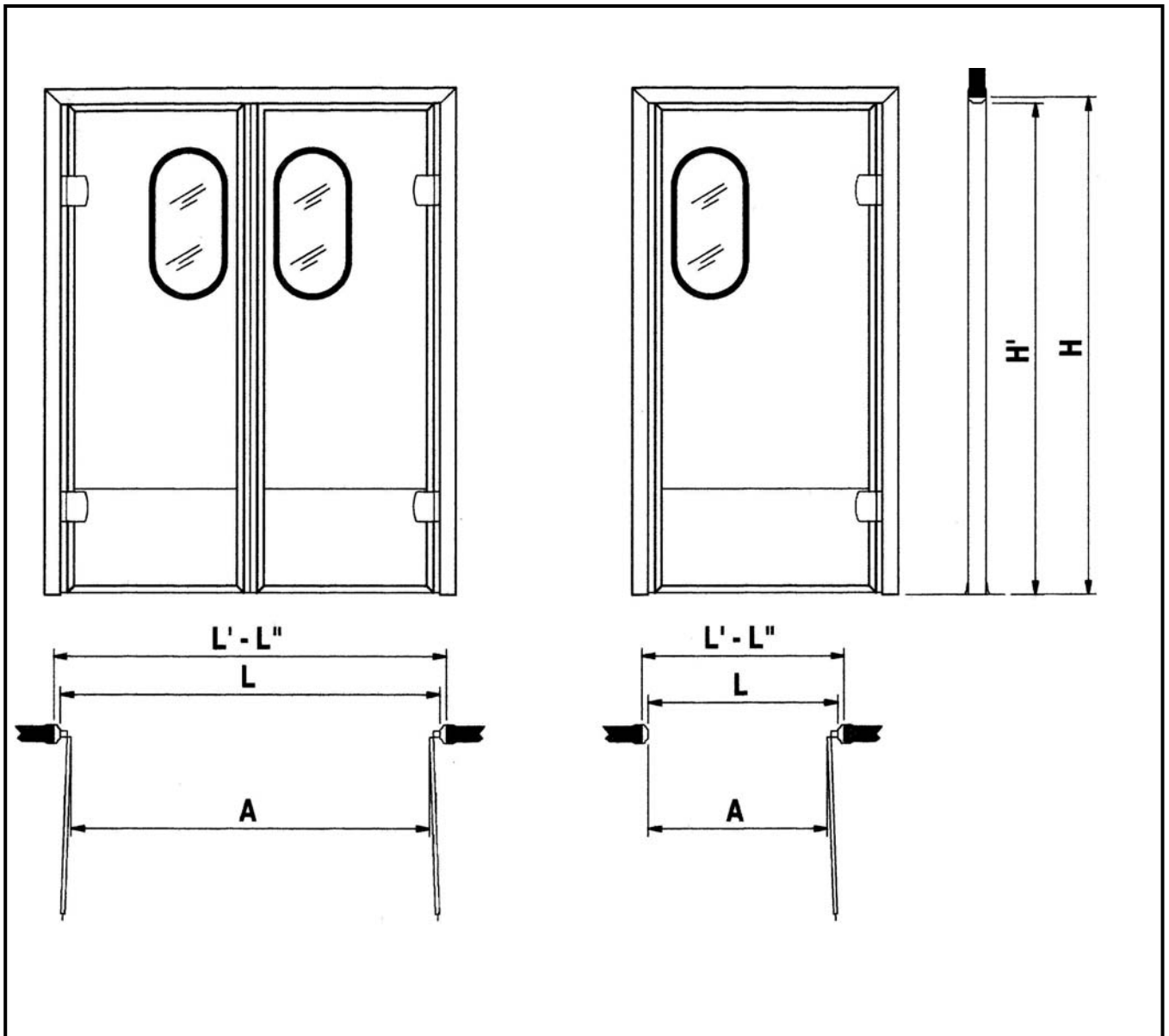
[11] PORSHOLE GLASS'	013848
[12] PORSHOLE GASKET	010986
[13] PROFILE GASKET	011014
[14] HINGE	014521

INSTRUCTIONS FOR INSTALLATION, USE, AND MAINTENANCE

SWING DOOR SERIES 2008

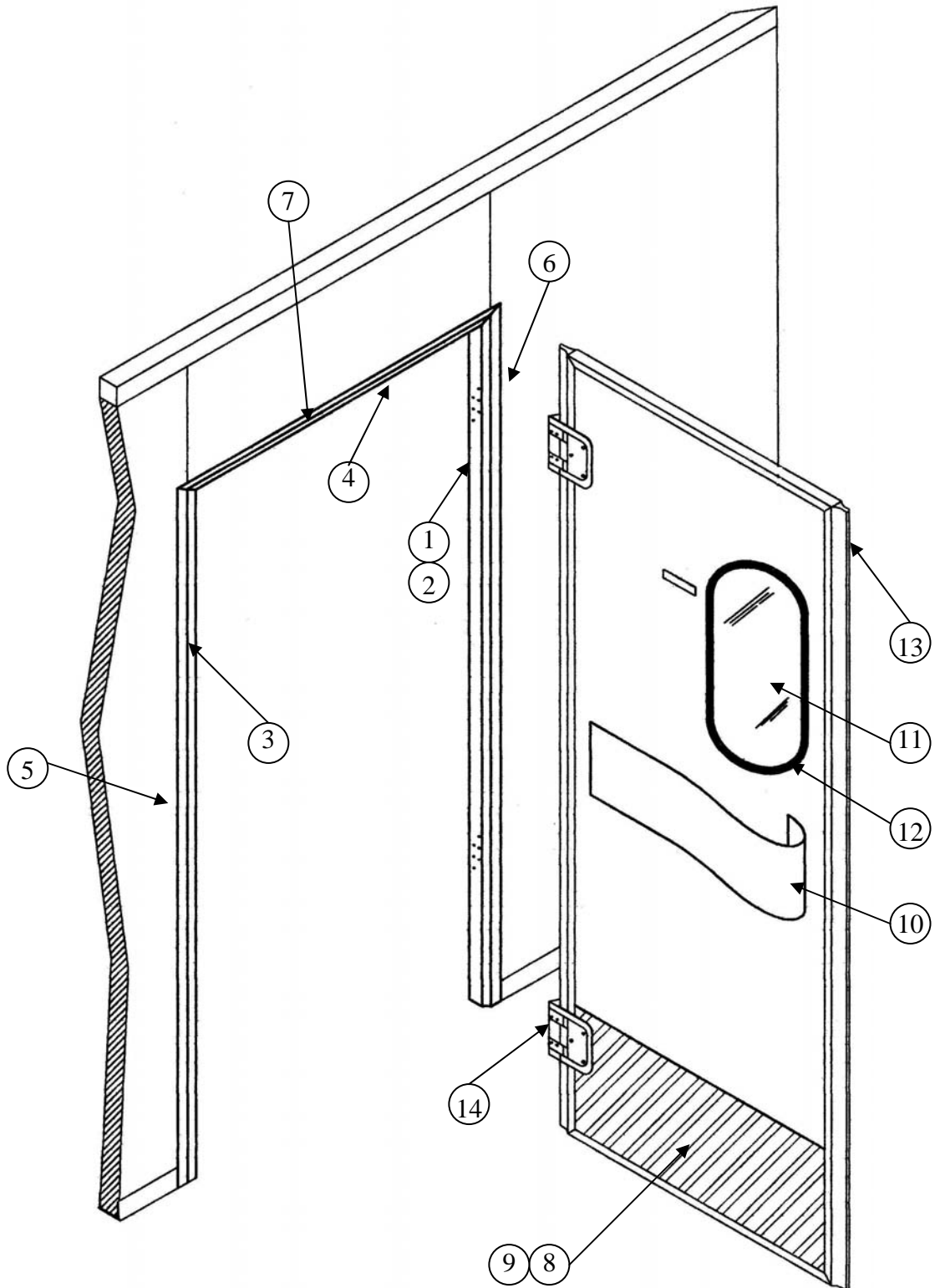


- 1- Check that the doorway is of expected dimensions (see table) and check that the transom-window panel [1] – if present – is perfectly leveled with the other panels. In the doors with two wings, there are two wooden laths mounted in the vertical jambs. If the doorway is prepared with standard dimensions [L"] (industrial panels), the laths must be removed.
- 2- Mount the frame profiles [2] (first the horizontal, then the two vertical profiles) on the doorway, and check for plumbing of vertical jambs and their distance (both above and below), which shall correspond to the dimension [L] shown in the table.
- 3- Fix the profiles with rivets (provided) on both sides.
- 4- Mount the profile covers [4].
- 5- Mount the door wing and fix the hinges on the jamb (keeping the door wing open at 90°) with provided screws (M6). Turn the door wing by 180° and complete hinge fixing.



MODEL	L	COMMERCIAL		INDUSTRIAL		H	H'	N. OF WINGS	OPENING SIZE AxH'	WALL THICKNESS
		L'	a	L''	a					
PV 8/200	768	800	50	800	50	2000	1985	1	710x1985	S6-S8-S10
PV 8/220	768	800	50	800	50	2200	2185	1	710x2185	S6-S8-S10
PV10/200	968	1000	50	1000	50	2000	1985	1	910x1985	S6-S8-S10
PV10/220	968	1000	50	1000	50	2200	2185	1	910x2185	S6-S8-S10
PV12/200	1168	1200	50	1200	50	2000	1985	1	1110x1985	S6-S8-S10
PV12/220	1168	1200	50	1200	50	2200	2185	1	1110x2185	S6-S8-S10
PV14/220	1334	1400	35	1366	50	2200	2185	2	1220x2185	S6-S8-S10
PV14/240	1334	1400	35	1366	50	2400	2385	2	1220x2385	S6-S8-S10
PV16/200	1534	1600	35	1566	50	2000	1985	2	1420x1985	S6-S8-S10
PV16/240	1534	1600	35	1566	50	2400	2385	2	1420x2385	S6-S8-S10
PV20/240	1934	2000	35	1966	50	2400	2385	2	1820x2385	S6-S8-S10
PV24/240	2334	2400	35	2366	50	2400	2385	2	2220x2385	S6-S8-S10

PARTI DI RICAMBIO - SPARE PARTS



[1] MONTANTE CON FORI 2 CERNIERE	
S6 H200	027712
S6 H220	027713
S6 H240	027714
S8 H200	027715
S8 H220	027716
S8 H240	027717
S10 H200	027718
S10 H220	027719
S10 H240	027720

[1] UPRIGHTS WITH HOLES 2 HINGES	
S6 H200	027712
S6 H220	027713
S6 H240	027714
S8 H200	027715
S8 H220	027716
S8 H240	027717
S10 H200	027718
S10 H220	027719
S10 H240	027720

[2] MONTANTE CON FORI 3 CERNIERE	
S6 H200	027721
S6 H220	027722
S6 H240	027723
S8 H200	027724
S8 H220	027725
S8 H240	027726
S10 H200	027727
S10 H220	027728
S10 H240	027729

[2] UPRIGHTS WITH HOLES 3 HINGES	
S6 H200	027721
S6 H220	027722
S6 H240	027723
S8 H200	027724
S8 H220	027725
S8 H240	027726
S10 H200	027727
S10 H220	027728
S10 H240	027729

[3] MONTANTE SENZA FORI	
S6 H200	026724
S6 H220	026726
S6 H240	026728
S8 H200	026733
S8 H220	026735
S8 H240	026737
S10 H200	026742
S10 H220	026744
S10 H240	026746

[3] UPRIGHTS WITHOUT HOLES	
S6 H200	026724
S6 H220	026726
S6 H240	026728
S8 H200	026733
S8 H220	026735
S8 H240	026737
S10 H200	026742
S10 H220	026744
S10 H240	026746

[4] TRAVERSA	
S6 PV 8	026785
S6 PV10	026786
S6 PV12	026787
S6 PV14	027731
S6 PV16	026788
S6 PV20	026789
S6 PV24	027735
S8 PV 8	026790
S8 PV10	026791
S8 PV12	026792
S8 PV14	027732
S8 PV16	026793
S8 PV20	026794
S8 PV24	027736
S10 PV 8	026795
S10 PV10	026796
S10 PV12	026797
S10 PV14	027733
S10 PV16	026798
S10 PV20	026799
S10 PV24	027737

[4] CROSSBAR	
S6 PV 8	026785
S6 PV10	026786
S6 PV12	026787
S6 PV14	027731
S6 PV16	026788
S6 PV20	026789
S6 PV24	027735
S8 PV 8	026790
S8 PV10	026791
S8 PV12	026792
S8 PV14	027732
S8 PV16	026793
S8 PV20	026794
S8 PV24	027736
S10 PV 8	026795
S10 PV10	026796
S10 PV12	026797
S10 PV14	027733
S10 PV16	026798
S10 PV20	026799
S10 PV24	027737

[5] [6] COPERTURA MONTANTE	
H200 SX	026718
H220 SX	026720
H240 SX	026722
H200 DX	026717
H220 DX	026719
H240 DX	026721

[5] [6] UPRIGHTS COVER	
H200 SX	026718
H220 SX	026720
H240 SX	026722
H200 DX	026717
H220 DX	026719
H240 DX	026721

[7] COPERTURA TRAVERSA	
PV 8	026764
PV10	026765
PV12	026766
PV14	027734
PV16	026767
PV20	026768
PV24	027738

[7] CROSSBAR COVER	
PV 8	026764
PV10	026765
PV12	026766
PV14	027734
PV16	026767
PV20	026768
PV24	027738

[8] PARACOLPI (310)	
PV8 - PV16 DX	027679
PV10 - PV20 DX	027681
PV12 - PV24 DX	027683
PV 14 DX	027685
PV8 - PV16 SX,	027678
PV10 - PV20 SX	027680
PV12 - PV24 SX	027682
PV 14 SX	027684

[8] BUMPERS (310)	
PV8 - PV16 DX	027679
PV10 - PV20 DX	027681
PV12 - PV24 DX	027683
PV 14 DX	027685
PV8 - PV16 SX,	027678
PV10 - PV20 SX	027680
PV12 - PV24 SX	027682
PV 14 SX	027684

[9] OPZIONE PARACOLPI (620)	
PV8 - PV16 DX	027742
PV10 - PV20 DX	027744
PV12 - PV24 DX	027746
PV 14 DX	027748
PV8 - PV16 SX,	027741
PV10 - PV20 SX	027743
PV12 - PV24 SX	027745
PV 14 SX	027747

[9] OPTION BUMPERS (620)	
PV8 - PV16 DX	027742
PV10 - PV20 DX	027744
PV12 - PV24 DX	027746
PV 14 DX	027748
PV8 - PV16 SX,	027741
PV10 - PV20 SX	027743
PV12 - PV24 SX	027745
PV 14 SX	027747

[10] OPZIONE BUMPER	
PV8 - PV16	011018
PV10 - PV20	011019
PV12 - PV24	011020
PV14	028428

[10] OPTION BUMPER	
PV8 - PV16	011018
PV10 - PV20	011019
PV12 - PV24	011020
PV14	028428

[11] VETRO OBLO'	013848
[12] GUARNIZIONE OBLO'	010986
[13] GUARNIZIONE PROFILO	011014
[14] CERNIERA	014521

[11] PORSHOLE GLASS'	013848
[12] PORSHOLE GASKET	010986
[13] PROFILE GASKET	011014
[14] HINGE	014521