

Industrial
Hinged Doors

Porta Battente
Industriale

Porte Battante
Industrielle



Industrial Hinged Doors IP_IN_IP-G

EN

Main claims

- New door frame made for industrial climatic storage and food transformation processes
- Sustainable and robust design made for heavy duty usage
- Large dimensional offer covering a wide field of both positive and negative applications
- High thermal performance insulation
- Smart door gasket design easy to replace
- Adjustable door mechanisms

Product features

Door frame RAL 9010 shockproof PVC profile. Stainless steel AISI 304 cover as option.

Door panel Insulated sandwich panel with PUR foam density 40 kg/m³. Antibacterial "Epta Food Defense" RAL 9010 pvc coated sheet metal. AISI 304 stainless steel internal / external as option.
Optional external panel protection H 1000mm in aluminium or AISI 304 stainless steel

Door panel gasket high resistance PTE rubber

Door panel frame Anodized aluminium profile

Gasket contact positive application with RAL 9010 shockproof pvc profile. Negative application with Anti condensation gasket heater integrated into an anodized aluminium cover all along the door frame perimeter

Handles Reinforced external handle. Key lock as option. Internal emergency handle as option

Hinges Left or right Hinges in composite material, low temperature and corrosion resistant equipped with position adjustment devices

Side cover sheets Antibacterial "Epta Food Defense" RAL 9010 pvc coated sheet metal. AISI 304 stainless steel as option.

Porta Battente Industriale IP_IN_IP-G

IT

Vantaggi principali

- Nuovo telaio porta pensato per la conservazione climatizzata industriale e i processi di trasformazione degli alimenti
- Design robusto e sostenibile, adatto all'uso intensivo
- Ampia offerta dimensionale per soddisfare gamme di applicazioni a temperatura sia positiva che negativa
- Isolamento termico ad elevate prestazioni
- Guarnizione dal design intelligente, facile da sostituire
- Meccanismi porta regolabili

Caratteristiche del prodotto

Telaio porta profilo antiurto in PVC RAL 9010. Rivestimento in acciaio inox AISI 304 come optional

Pannello porta pannello sandwich isolato con schiuma PUR densità 40 kg/m³. Lamiera metallica rivestita in pvc antibatterico "Epta Food Defense" RAL 9010. Interno / esterno. In acciaio inox AISI 304 come optional.
Protezione esterna opzionale H 1000mm in alluminio o acciaio inox AISI 304

Guarnizione pannello porta gomma PTE ad alta resistenza

Telaio pannello porta profilo in alluminio anodizzato

Area contatto guarnizione applicazioni a temperatura positiva con profilo antiurto in pvc RAL 9010. Applicazione a temperatura negativa con resistenza anticorrosione nella guarnizione integrata in un rivestimento di alluminio anodizzato lungo tutto il perimetro del telaio

Maniglie maniglia esterna rinforzata. Serratura con chiave come optional. Maniglia interna di emergenza come optional

Cerniere cerniere sinistre o destre in materiale composito resistente alla corrosione e alle basse temperature, dotate di dispositivi di regolazione posizione

Rivestimenti laterali lamiera metallica rivestita in pvc antibatterico "Epta Food Defense" RAL 9010. Acciaio inox AISI 304 come optional.

Porte Battante Industrielle IP_IN_IP-G

FR

Principaux avantages

- Nouveau cadre de porte conçu pour le stockage frigorifique industriel et les processus de transformation alimentaire
- Conception durable et robuste pour une utilisation intensive
- Large offre dimensionnelle couvrant les champs d'applications positifs et négatifs
- Isolation thermique haute performance
- Conception intelligente du joint de porte facile à remplacer
- Mécanismes de porte réglables

Caractéristiques du produit

Huisserie profilé PVC antichoc RAL 9010. Recouvrement en acier inoxydable AISI 304 en option.

Panneau de porte Panneau sandwich isolé avec mousse PUR densité 40 kg/m³. Tôle revêtue pvc "Epta Food Defense" antibactérien RAL 9010. Inox AISI 304 intérieur / extérieur en option.
Panneau de protection extérieur en option H 1000 mm en aluminium ou en acier inoxydable AISI 304

Joint de panneau de porte caoutchouc PTE haute résistance

Cadre du panneau de porte Profilé en aluminium anodisé

Contact joint application positive avec profilé pvc antichoc RAL 9010. Application négative avec cordon chauffant anti-condensation intégré avec protection en aluminium anodisé tout le long du périmètre du cadre de porte

Poignées Poignée extérieure renforcée. Serrure à clé en option. Poignée antipanique interne en option

Charnières Charnières gauche ou droite en matériau composite résistant aux basses températures et à la corrosion équipées de dispositifs de réglage de position

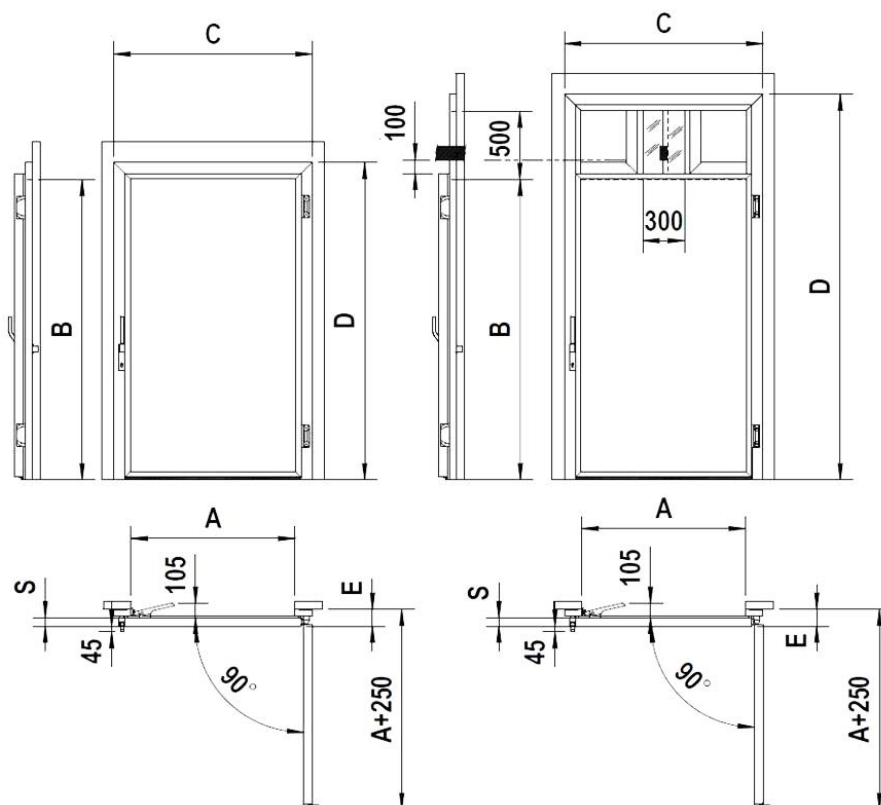
Recouvrement latéral panneau Tôle revêtue pvc antibactérien "Epta Food Defense" RAL 9010. Acier inoxydable AISI 304 en option.

Technical Data

Dati tecnici

Donées techniques

MODEL MODELLO MODELE	FREE PASSAGE LUCE NETTA PASSAGE LIBRE		OVERALL DIMENSIONS MISURE PORTA DIMENSIONS TOTALES				NUMBER OF HINGES NUMERO DI CERNIERE CHARNIERES QUANTITE	DOOR PANEL SIZE VANO DI MONTAGGIO PANNEAU DE PORTE	APPLICATION TEMP. TEMP. CELLA TEMP. D'APPLICATION	GASKET HEATER RESIST. ELETT. CORDON CHAUFFANT	WEIGHT PESO POIDS
	A	B	C	D	E	S	pcs	mm	° C	Wtot	kg
IP 10/200	974	2000	1226	2125	125	60	2	1000X2000	0°	-	59
IP 10/220	974	2200	1226	2325	125	60	2	1000X2200	0°	-	62
IP 12/200	1174	2000	1426	2125	125	60	2	1200X2000	0°	-	65
IP 12/220	1174	2200	1426	2325	125	60	2	1200X2200	0°	-	72
IP 12/240	1174	2400	1426	2525	125	60	2	1200X2400	0°	-	78
IP-G 12/220	1174	2200	1426	2325	125	60	2	1200X2200	0°	-	63
IP 14/220	1374	2200	1626	2325	125	60	3	1400X2200	0°	-	76
IP 14/240	1374	2400	1626	2525	125	60	3	1400X2400	0°	-	83
IP 16/220	1574	2200	1826	2325	125	60	3	1600X2200	0°	-	82
IP 16/240	1574	2400	1826	2525	125	60	3	1600X2400	0°	-	87
IN 10/200	974	2000	1226	2125	165	100	2	1000X2000	-25°	298	64
IN 10/220	974	2200	1226	2325	165	100	2	1000X2200	-25°	315	67
IN 12/200	1174	2000	1426	2125	165	100	2	1200X2000	-25°	298	70
IN 12/220	1174	2200	1426	2325	165	100	2	1200X2200	-25°	315	75
IN 12/240	1174	2400	1426	2525	165	100	2	1200X2400	-25°	333	78
IN 14/220	1374	2200	1626	2325	165	100	3	1400X2200	-25°	373	80
IN 14/240	1374	2400	1626	2525	165	100	3	1400X2400	-25°	390	85
IN 16/220	1574	2200	1826	2325	165	100	3	1600X2200	-25°	373	87
IN 16/240	1574	2400	1826	2525	165	100	3	1600X2400	-25°	390	92



Range

Gamma


Gamme


IP_IN


B \ A	90	100	110	120	130	140	150	160
190	Yellow	Yellow	Yellow	Yellow	Orange	Orange	Orange	Orange
200	Yellow	Red	Yellow	Red	Yellow	Yellow	Yellow	Yellow
210	Yellow	Yellow	Yellow	Yellow	Yellow	Yellow	Yellow	Yellow
220	Yellow	Red	Yellow	Red	Yellow	Red	Yellow	Red
230	Yellow	Yellow	Yellow	Yellow	Yellow	Yellow	Yellow	Yellow
240	Yellow	Yellow	Yellow	Red	Yellow	Red	Yellow	Red

IP-G

B \ A	90	100	110	120
190	Yellow	Yellow	Yellow	Yellow
200	Yellow	Yellow	Yellow	Yellow
210	Yellow	Yellow	Yellow	Yellow
220	Yellow	Yellow	Yellow	Red

 Standard door offer positive and negative
Porta di serie positive e negative
Offre de portes standard positives and negatives

 On demand doors positive and negative
Porta a misura positive e negative
Portes sur mesure positives et négatives

 On demand doors positive only
Porta a misura solo positive
Portes sur mesure uniquement positives

Options

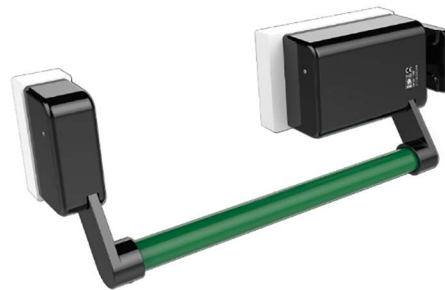
Opzioni

Options

Panel preparation for meat rail
Predisposizione pannello per guidovia
Préparation panneau pour rail boucherie



Key lock
Chiusura con chiave
Verrouillage par clé



Emergency internal handle
Maniglia interna antipanico
Poignée interne antipanique

External ramp
Rampa esterna
Rampe d'accès





PERFECT FOOD PRESERVATION
Epta Food Defence



HIGH THERMAL PERFORMANCE
Misa Vacuum System



FAST AND EASY INSTALLATION
Fastener and Fast-Fit assembling systems



R290

ECO-FRIENDLY
*Use of propane as natural refrigerant
Ozone friendly polystyrene free panel foaming*



EXTREME FLEXIBILITY
*Modular dimensional design with a 20cm pitch
Four different panel thicknesses
Positive and negative temperature applications*

**Industrial
Sliding Doors**

**Porta Scorrevole
Industriale**

**Porte Coulissante
Industrielle**



Main claims

- New door frame made for industrial climatic storage and food transformation processes
- Sustainable and robust design made for heavy duty usage
- Large dimensional offer covering a wide field of both positive and negative applications
- High thermal performance insulation
- Smart door gasket design easy to replace
- Adjustable door mechanisms

Product features

Door frame RAL 9010 shockproof PVC profile . Stainless steel AISI 304 cover as option.

Door panel Insulated sandwich panel with PUR foam density 40 kg/m³. Antibacterial "Epta Food Defense" RAL 9010 pvc coated sheet metal. AISI 304 stainless steel internal / external as option.
Optional external panel protection H 1000mm in aluminium or AISI 304 stainless steel

Door panel gasket high resistance PTE rubber

Door panel frame Anodized aluminium profile

Gasket contact positive application with RAL 9010 shockproof pvc profile. Negative application with Anti condensation gasket heater integrated into an anodized aluminium cover all along the door frame perimeter

Handles Reinforced external handle. Key lock as option. Internal emergency handle as option

Sliding mechanism Left or right door opening. High resistance plastic wheels and brackets. Adjustable door position mechanism. Anodized aluminium upper rail and cover with integrated damper."

Side cover sheets Antibacterial "Epta Food Defense" RAL 9010 pvc coated sheet metal. AISI 304 stainless steel as option.



Vantaggi principali

- Nuovo telaio porta pensato per la conservazione climatizzata industriale e i processi di trasformazione degli alimenti
- Design robusto e sostenibile, adatto all'uso intensivo
- Ampia offerta dimensionale in grado di soddisfare gamme di applicazioni a temperatura sia positiva che negativa
- Isolamento termico ad elevate prestazioni
- Guarnizione dal design intelligente, facile da sostituire
- Meccanismi porta regolabili

Caratteristiche del prodotto

Telaio porta profilo antiurto in PVC RAL 9010. Rivestimento in acciaio inox AISI 304 come optional

Pannello porta pannello sandwich isolato con schiuma PUR densità 40 kg/m³. Lamiera metallica rivestita in pvc antibatterico "Epta Food Defense" RAL 9010. Interno / esterno. In acciaio inox AISI 304 come optional. Protezione esterna opzionale H 1000mm in alluminio o acciaio inox AISI 304

Guarnizione pannello porta gomma PTE ad alta resistenza

Telaio pannello porta profilo in alluminio anodizzato

Area contatto guarnizione applicazioni a temperatura positiva con profilo antiurto in pvc RAL 9010. Applicazioni a temperatura negativa con resistenza anticondensa nella guarnizione integrata in un rivestimento in alluminio anodizzato lungo tutto il perimetro del telaio

Maniglie maniglia esterna rinforzata. Serratura con chiave come optional. Maniglia interna di emergenza come optional

Meccanismo di scorrimento apertura a sinistra o a destra. Ruote e staffe in plastica ad alta resistenza. Meccanismo di posizionamento porta regolabile. Binario superiore e relativo rivestimento in alluminio anodizzato con ammortizzatore integrato.

Rivestimenti laterali lamiera metallica rivestita in pvc antibatterico "Epta Food Defense" RAL 9010. Acciaio inox AISI 304 come optional.



Principaux avantages

- Nouveau cadre de porte conçu pour le stockage frigorifique industriel et les processus de transformation alimentaire
- Conception durable et robuste pour une utilisation intensive
- Large offre dimensionnelle couvrant les champ d'applications positifs et négatifs
- Isolation thermique haute performance
- Conception intelligente du joint de porte facile à remplacer
- Mécanismes de porte réglables

Caractéristiques du produit

Huisserie profilé PVC antichoc RAL 9010. Recouvrement en acier inoxydable AISI 304 en option.

Panneau de porte Panneau sandwich isolé avec mousse PUR densité 40 kg/m³. Tôle revêtue pvc "Epta Food Defense" antibactérien RAL 9010. Inox AISI 304 intérieur / extérieur en option.
Panneau de protection extérieur en option H 1000 mm en aluminium ou en acier inoxydable AISI 304

Joint de panneau de porte caoutchouc PTE haute résistance

Cadre du panneau de porte Profilé en aluminium anodisé

Contact joint application positive avec profilé pvc antichoc RAL 9010. Application négative avec cordon chauffant anti-condensation intégré avec protection en aluminium anodisé tout le long du périmètre du cadre de porte

Poignées Poignée extérieure renforcée. Serrure à clé en option. Poignée antipanique interne en option

Mécanisme coulissant Ouverture droite ou gauche. Roue plastique et éléments de fixation haute résistance . Mécanismes d'ajustement de la position. Rail et capot de protection en aluminium anodisé avec amortisseur caoutchouc.

Recouvrement latéral panneau Tôle revêtue pvc antibactérien "Epta Food Defense" RAL 9010. Acier inoxydable AISI 304 en option.

Technical Data

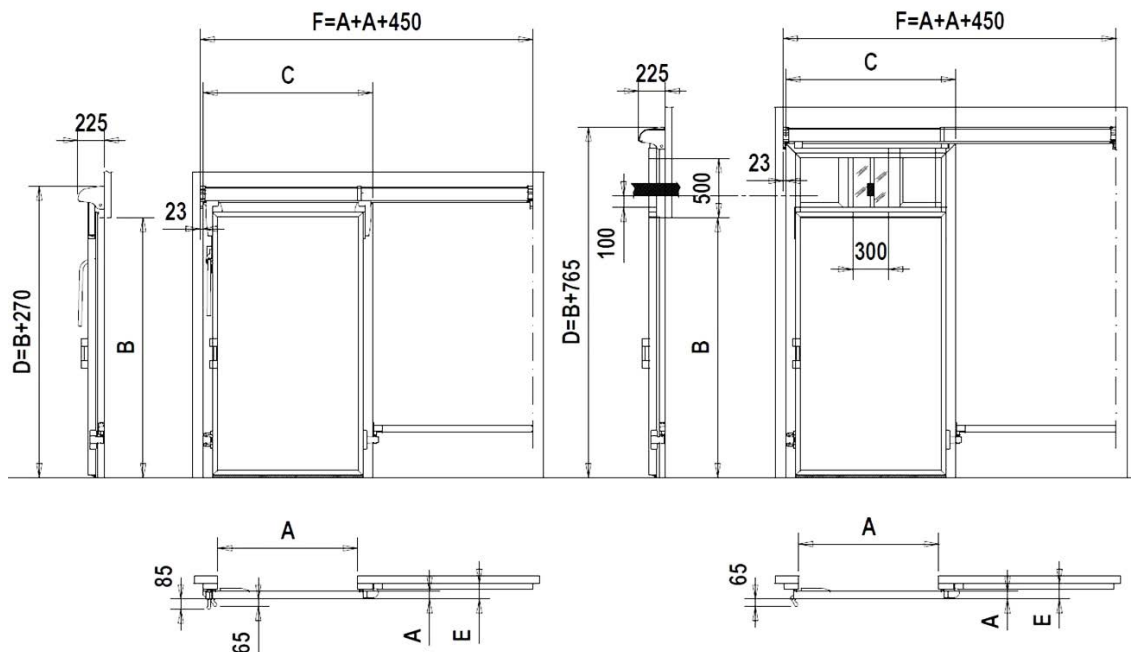
Dati tecnici

Donées techniques

MODEL MODELLO MODELE	HANDLE MANIGLIA POIGNEE	FREE PASSAGE LUCE NETTA PASSAGE LIBRE		OVERALL DIMENSIONS MISURE PORTA DIMENSIONS TOTALES				DOOR PANEL SIZE VANO DI MONTAGGIO PANNEAU DE PORTE	APPLICATION TEMP. TEMP. CELLA TEMP. D'APPLICATION	GASKET HEATER RESIST. ELETT. CORDON CHAUFFANT	WEIGHT PESO POIDS
		A	B	C	D	E	S				
IPS 10/200	●	974	2000	1226	2270	135	60	974X2000	0°	-	68
IPS 10/220	●	974	2200	1226	2470	135	60	974X2200	0°	-	69
IPS 12/200	●	1174	2000	1426	2270	135	60	1174x2000	0°	-	71
IPS 12/220	●	1174	2200	1426	2470	135	60	1174x2200	0°	-	72
IPS-12/240	●	1174	2400	1426	2670	135	60	1174x2400	0°	-	79
IPS-G 12/220	●	1174	2200	1426	2965	135	60	1174x2200	0°	-	76
IPS 14/220	●	1374	2200	1626	2470	135	60	1374x2200	0°	-	79
IPS 14/240	●	1374	2400	1626	2670	135	60	1374x2400	0°	-	81
IPS 16/220	●	1574	2200	1826	2470	135	60	1574x2200	0°	-	85
IPS 16/240	●	1574	2400	1826	2670	135	60	1574x2400	0°	-	87
IPS 16/280	●	1574	2800	1826	3070	135	60	1574x2800	0°	-	108
IPS 20/240	●	1974	2400	2226	2670	135	60	1974x2400	0°	-	150
IPS 20/280	●	1974	2800	2226	3070	135	60	1974x2800	0°	-	163
IPS 20/320	●	1974	3200	2226	3470	135	60	1974x3200	0°	-	175
IPS 24/280	●	2374	2800	2626	3070	135	60	2374x2800	0°	-	185
IPS 24/320	●	2374	3200	2626	3470	135	60	2374x3200	0°	-	192
INS 10/200	●	974	2000	1226	2270	175	100	974X2000	-25°	298	73
INS 10/220	●	974	2200	1226	2470	175	100	974X2200	-25°	315	75
INS 12/200	●	1174	2000	1426	2270	175	100	1174x2000	-25°	298	77
INS 12/220	●	1174	2200	1426	2470	175	100	1174x2200	-25°	315	79
INS-12/240	●	1174	2400	1426	2670	175	100	1174x2400	-25°	333	81
INS 14/220	●	1374	2200	1626	2470	175	100	1374x2200	-25°	373	87
INS 14/240	●	1374	2400	1626	2670	175	100	1374x2400	-25°	390	89
INS 16/220	●	1574	2200	1826	2470	175	100	1574x2200	-25°	373	93
INS 16/240	●	1574	2400	1826	2670	175	100	1574x2400	-25°	390	97
INS 16/280	●	1574	2800	1826	3070	175	100	1574x2800	-25°	417	119
INS 20/240	●	1974	2400	2226	2670	175	100	1974x2400	-25°	457	162
INS 20/280	●	1974	2800	2226	3070	175	100	1974x2800	-25°	466	177
INS 20/320	●	1974	3200	2226	3470	175	100	1974x3200	-25°	501	191
INS 24/280	●	2374	2800	2626	3070	175	100	2374x2800	-25°	523	201
INS 24/320	●	2374	3200	2626	3470	175	100	2374x3200	-25°	558	211

● int./ext. standard handles
maniglia int/est fissa
poignees int./ext. standard

● int./ext. lever handles
maniglia int./est. a leva
poignees int./ext. à levier



Range

Gamma


Gamme


IPS_INS


B \ A	90	100	110	120	130	140	150	160	170	180	190	200	210	220	230	240
190	Yellow	Yellow	Yellow	Yellow	Yellow	Yellow	Yellow	Yellow	Yellow	Yellow	Yellow	Yellow	Yellow	Yellow	Yellow	Yellow
200	Yellow	Red	Yellow	Red	Yellow	Yellow	Yellow	Yellow	Yellow	Yellow	Yellow	Yellow	Yellow	Yellow	Yellow	Yellow
210	Yellow	Yellow	Yellow	Yellow	Yellow	Yellow	Yellow	Yellow	Yellow	Yellow	Yellow	Yellow	Yellow	Yellow	Yellow	Yellow
220	Yellow	Red	Yellow	Red	Yellow	Red	Yellow	Red	Yellow	Yellow	Yellow	Yellow	Yellow	Yellow	Yellow	Yellow
230	Yellow	Yellow	Yellow	Yellow	Yellow	Yellow	Yellow	Yellow	Yellow	Yellow	Yellow	Yellow	Yellow	Yellow	Yellow	Yellow
240	Yellow	Yellow	Yellow	Red	Yellow	Red	Yellow	Red	Yellow	Yellow	Yellow	Red	Yellow	Yellow	Yellow	Yellow
250	Yellow	Yellow	Yellow	Yellow	Yellow	Yellow	Yellow	Yellow	Yellow	Yellow	Yellow	Yellow	Yellow	Yellow	Yellow	Yellow
260	Yellow	Yellow	Yellow	Yellow	Yellow	Yellow	Yellow	Yellow	Yellow	Yellow	Yellow	Yellow	Yellow	Yellow	Yellow	Yellow
270	Yellow	Yellow	Yellow	Yellow	Yellow	Yellow	Yellow	Yellow	Yellow	Yellow	Yellow	Yellow	Yellow	Yellow	Yellow	Yellow
280	Yellow	Yellow	Yellow	Yellow	Yellow	Yellow	Yellow	Red	Yellow	Yellow	Yellow	Red	Yellow	Yellow	Yellow	Red
290	Yellow	Yellow	Yellow	Yellow	Yellow	Yellow	Yellow	Yellow	Yellow	Yellow	Yellow	Yellow	Yellow	Yellow	Yellow	Yellow
300	Yellow	Yellow	Yellow	Yellow	Yellow	Yellow	Yellow	Yellow	Yellow	Yellow	Yellow	Yellow	Yellow	Yellow	Yellow	Yellow
310	Yellow	Yellow	Yellow	Yellow	Yellow	Yellow	Yellow	Yellow	Yellow	Yellow	Yellow	Yellow	Yellow	Yellow	Yellow	Yellow
320	Yellow	Yellow	Yellow	Yellow	Yellow	Yellow	Yellow	Yellow	Yellow	Yellow	Yellow	Red	Yellow	Yellow	Yellow	Red

IPS-G

B \ A	90	100	110	120
190	Yellow	Yellow	Yellow	Yellow
200	Yellow	Yellow	Yellow	Yellow
210	Yellow	Yellow	Yellow	Yellow
220	Yellow	Yellow	Yellow	Red

 Standard door offer positive and negative
Porta di serie positive e negative
Offre de portes standard positives and negatives

 On demand doors positive and negative
Porta a misura positive e negative
Portes sur mesure positives et negatives

 On demand doors positive only
Porta a misura solo positive
Portes sur mesure uniquement positives

Options

Panel preparation for meat rail
Predisposizione pannello per guidovia
Préparation panneau pour rail boucherie



Opzioni

Lever handle internal and external
Maniglia a leva interna e esterna
Poignée à levier interne et externe



Options

External ramp
Rampa esterna
Rampe d'accès



Key lock
Chiusura con chiave
Verrouillage par clé

