

IP,IN,IP-G & IPS,INS,IPS-G DOORS

DISASSEMBLY MANUAL

Modello - Modèle - Model Modell - Modelo - Modelo	IP,IN,IP-G&IPS,INS,IPS-GDOORS	
Fabbricante - Constructeur - Manufacturer Hersteller - Fabricante - Fabricante	Epta Spa - Via Mecenate, 86 - 20138 Milano (MI) ITALIA Tel. 02/55403211 Telefax 02/55401023	2/10

Dissassembly manual

IT

CONTENT

FR

1. Introduction	3
1.1 Scope	3
1.2 General safety information	3
1.3 Reasons for a correct disassembly	3
2. Procedure	4
2.1 Disassembly of doors	4

EN

DE

ES

PT

SYMBOLS



Prohibition symbol: prohibits performing certain operations.



Attention symbol: safety regulations for the operator.



Warning symbol: there is the possibility of causing damage to the bench and / or its components.



Note symbol: Provides useful information.

PPE



Safety shoes



Protective gloves



Safety glasses



Safety helmet



Safety vests

Modello - Modèle - Model Modell - Modelo - Modelo	IP,IN,IP-G&IPS,INS,IPS-GDOORS	
Fabbricante - Constructeur - Manufacturer Hersteller - Fabricante - Fabricante	Epta Spa - Via Mecenate, 86 - 20138 Milano (MI) ITALIA Tel. 02/55403211 Telefax 02/55401023	3/10

1. INTRODUCTION

1.1 Scope

The document "Disassembly manual" indicates how to disassemble EPTA's products. In this document are indicate the steps to follow the disassemble of the cold Room Doors.

Instructions for use are also available on:
www.misa-coldrooms.com.

1.2 General safety information



Do never interrupt the cooling chain of displayed goods.



Before starting the disassembly procedure, disconnect the equipment from the electrical power supply and secure against re-connecting by unauthorized persons.



Ensure that the working area is sufficiently illuminated during disassembly activity and use an additional lighting source if necessary.



Beware of touching any coldroom's part without DPI.

1.3 Reasons for a correct disassembly

In order to guarantee the correct disposal of the materials that make up the coldroom's door, it is important to proceed with a correct disassembly.

Correct disassembly thus allows us to increase the percentage of recyclability.

IT

FR

EN

DE

ES

PT

Modello - Modèle - Model Modell - Modelo - Modelo	IP,IN,IP-G&IPS,INS,IPS-GDOORS	
Fabbricante - Constructeur - Manufacturer Hersteller - Fabricante - Fabricante	Epta Spa - Via Mecenate, 86 - 20138 Milano (MI) ITALIA Tel. 02/55403211 Telefax 02/55401023	4/10

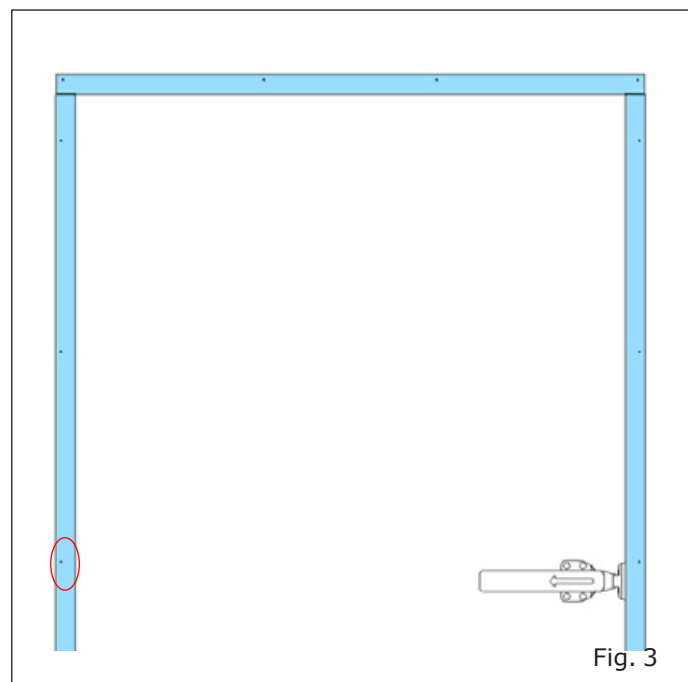
2. PROCEDURE

- Disconnect the cold-room from the electrical power supply and secure against re-connecting by unauthorized persons.
- Verify the plate, LT o MT.
- Verify the door's type, hinged or sliding, and proceed with the correct disassembly.

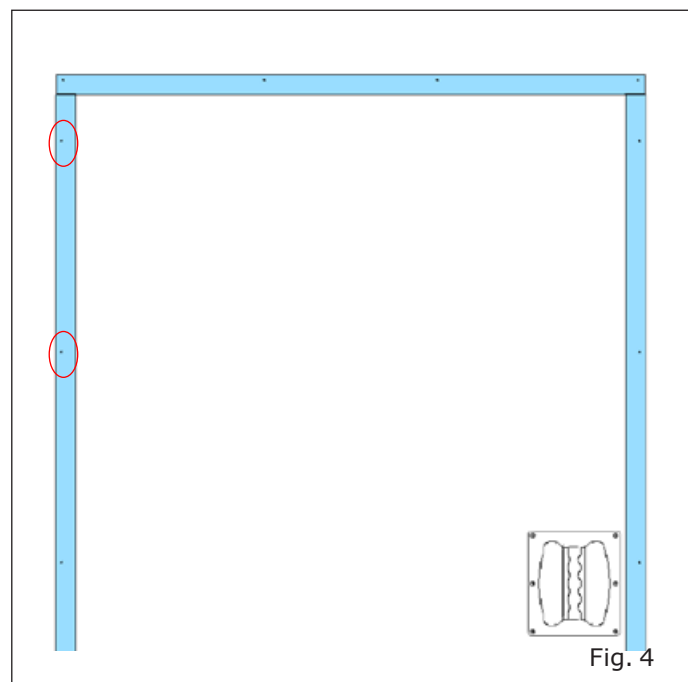
2.1.2 From inside:

- remove the rivets
- disassemble the connecting sheet.

Hinged door

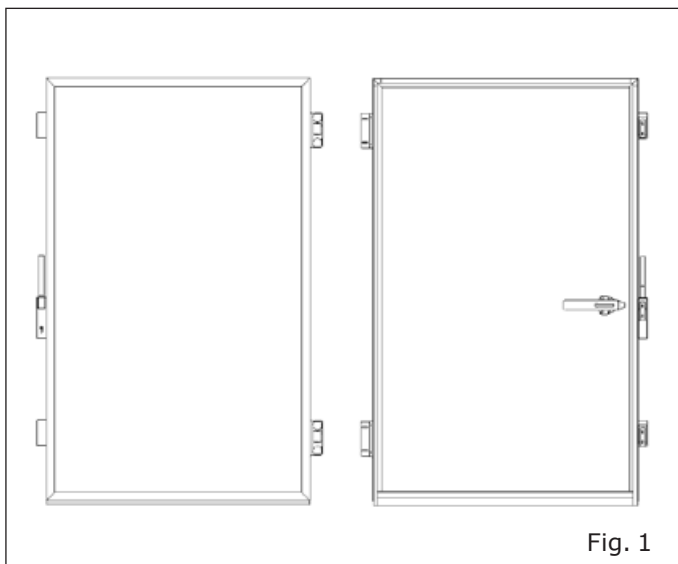


Sliding door

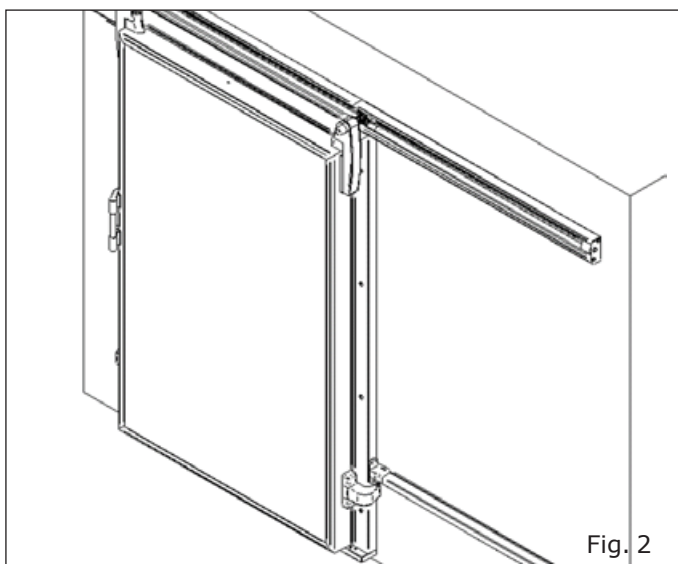


2.1 Disassembly of doors

2.1.1 Outside and inside view Hinged door



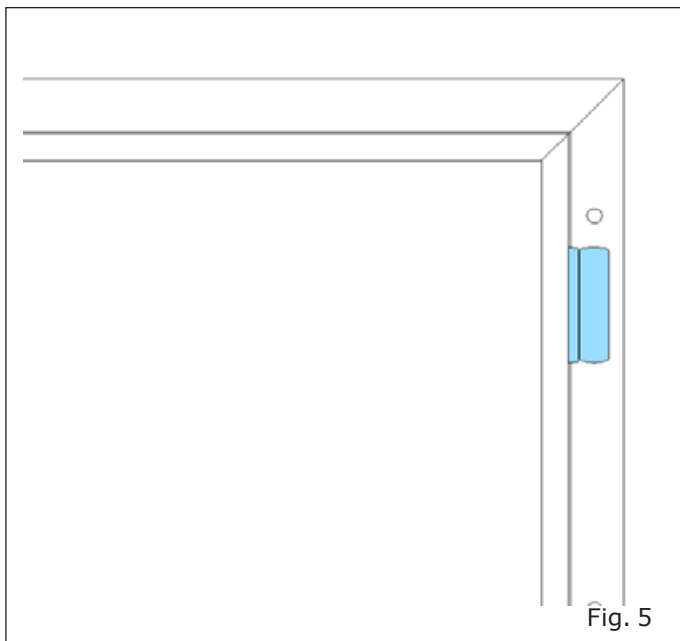
Sliding door



Modello - Modèle - Model Modell - Modelo - Modelo	IP,IN,IP-G&IPS,INS,IPS-GDOORS	
Fabbricante - Constructeur - Manufacturer Hersteller - Fabricante - Fabricante	Epta Spa - Via Mecenate, 86 - 20138 Milano (MI) ITALIA Tel. 02/55403211 Telefax 02/55401023	5/10

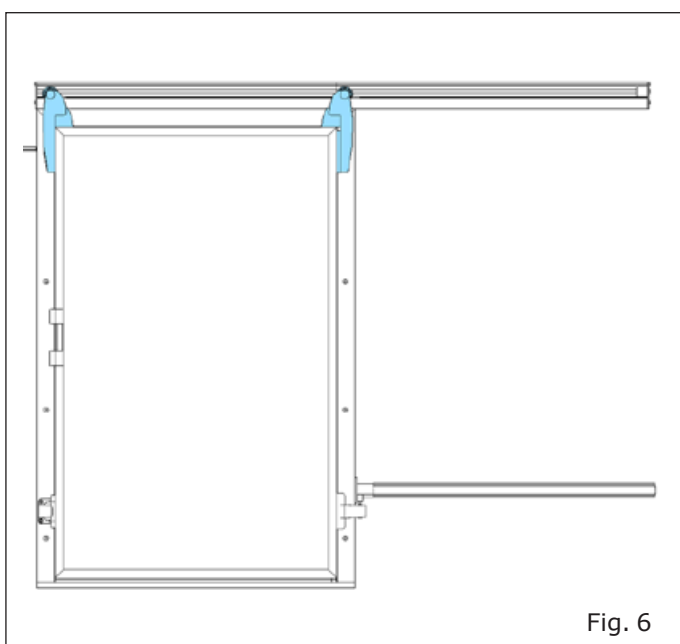
2.1.3 From outside: Hinged door

- disassemble the door panel insulator from the frame by removing the screws from the hinge



Sliding door

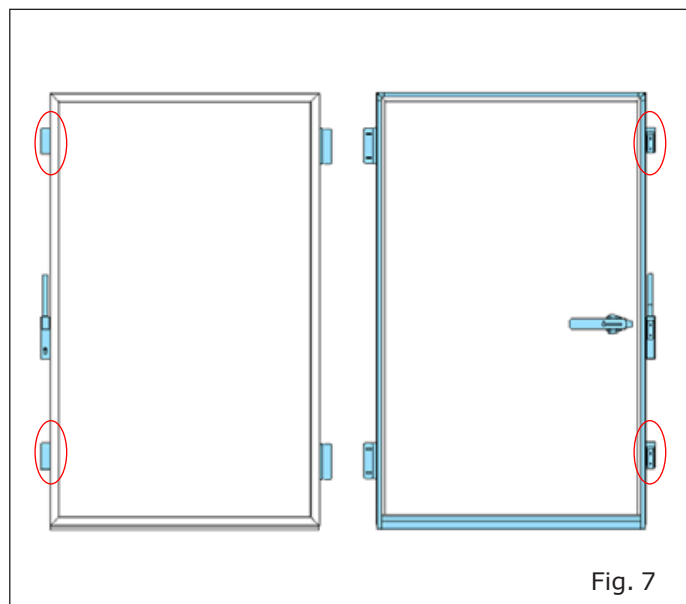
- disassemble the door panel insulator from the frame by removing the screws from the pulleys



2.1.4 Components removal Hinged door

Remove the following component from the door panel insulator by unscrewing screws:

- Inside handle
- Outside handle
- Hinges
- Closing block (only for LT doors)
- Gaskets



IT

FR

EN

DE

ES

PT

Modello - Modèle - Model Modell - Modelo - Modelo	IP,IN,IP-G&IPS,INS,IPS-GDOORS	
Fabbricante - Constructeur - Manufacturer Hersteller - Fabricante - Fabricante	Epta Spa - Via Mecenate, 86 - 20138 Milano (MI) ITALIA Tel. 02/55403211 Telefax 02/55401023	6/10

Dissassembly manual

IT

FR

EN

DE

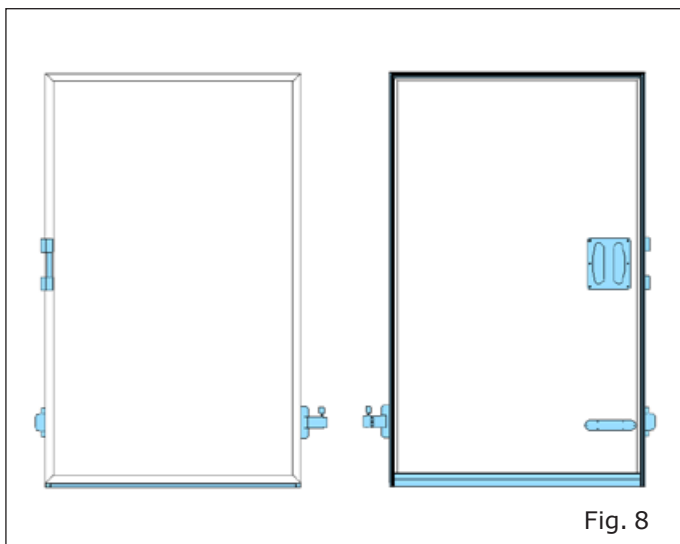
ES

PT

Sliding door

Remove the following component from the door panel insulator by unscrewing screws:

- Inside handle
- Outside handle
- Lateral guide pivot
- Slide spacer
- Catch of the closing hook
- Gaskets

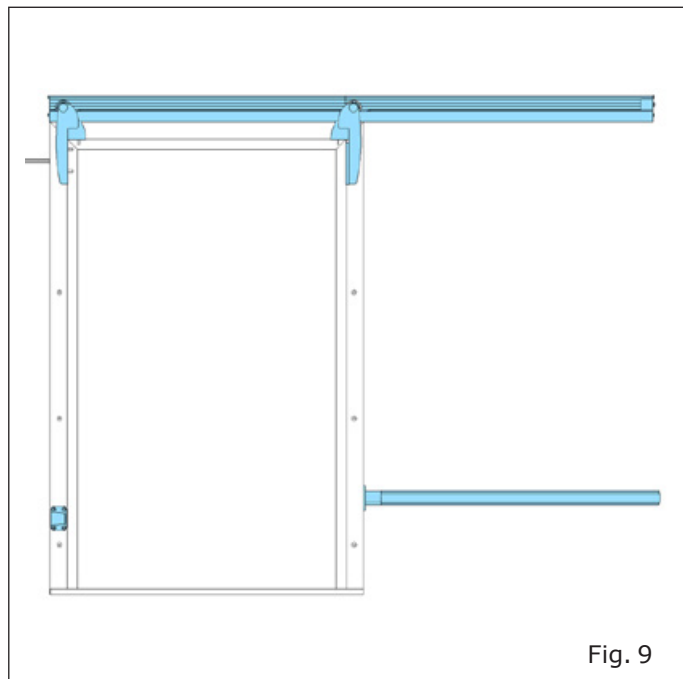


Remove the following component from the framework:

- Wall guide
- Closing hook

Remove the following component from the coldroom:

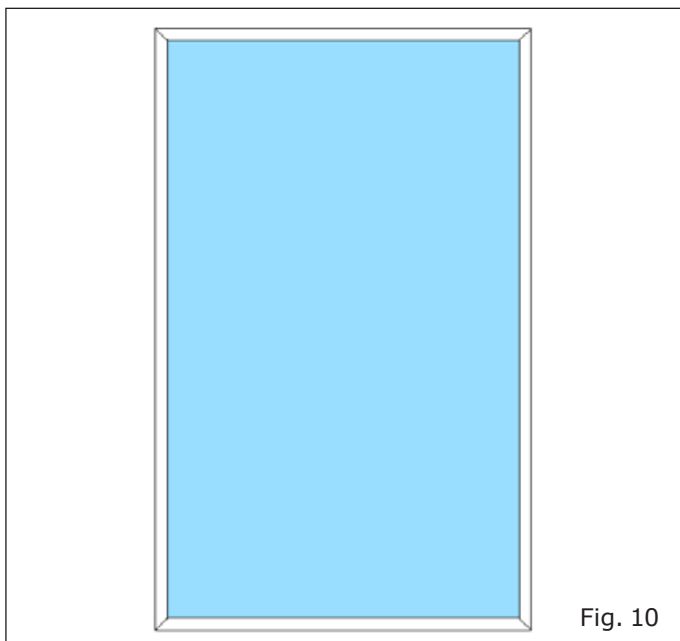
- Wall guide
- Upper rail
- Pulleys and spacer



Modello - Modèle - Model Modell - Modelo - Modelo	IP,IN,IP-G&IPS,INS,IPS-GDOORS	
Fabbricante - Constructeur - Manufacturer Hersteller - Fabricante - Fabricante	Epta Spa - Via Mecenate, 86 - 20138 Milano (MI) ITALIA Tel. 02/55403211 Telefax 02/55401023	7/10

2.1.5 Same procedures for Hinged and Sliding door

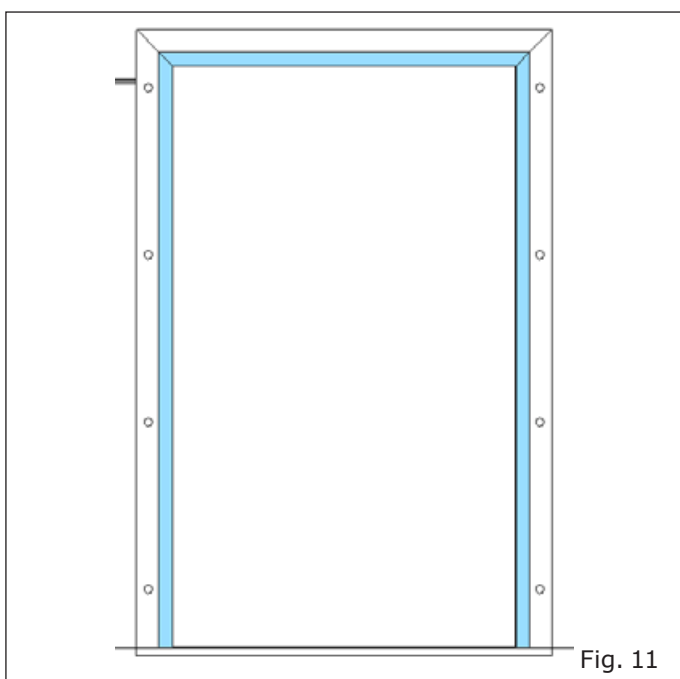
- Put aside the polyurethane panel and the aluminium profile for the disposal



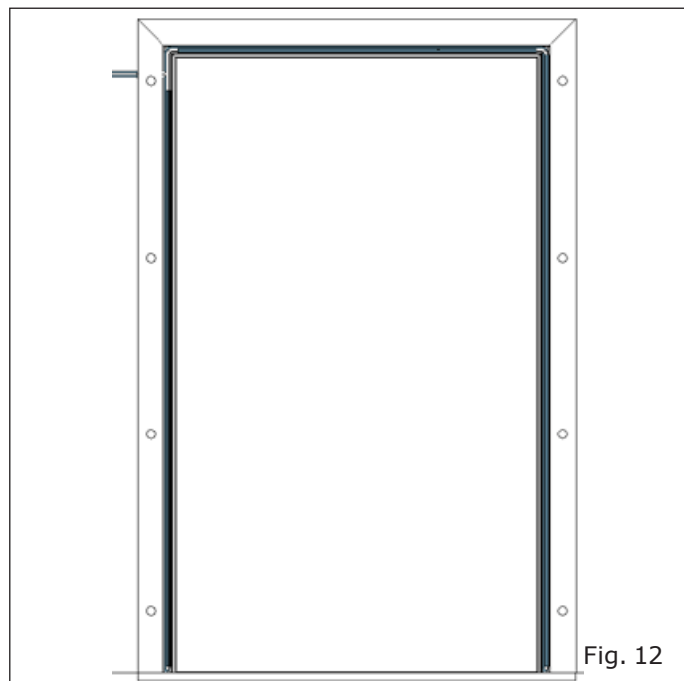
- Remove the pipe covers installed on the frame profiles.



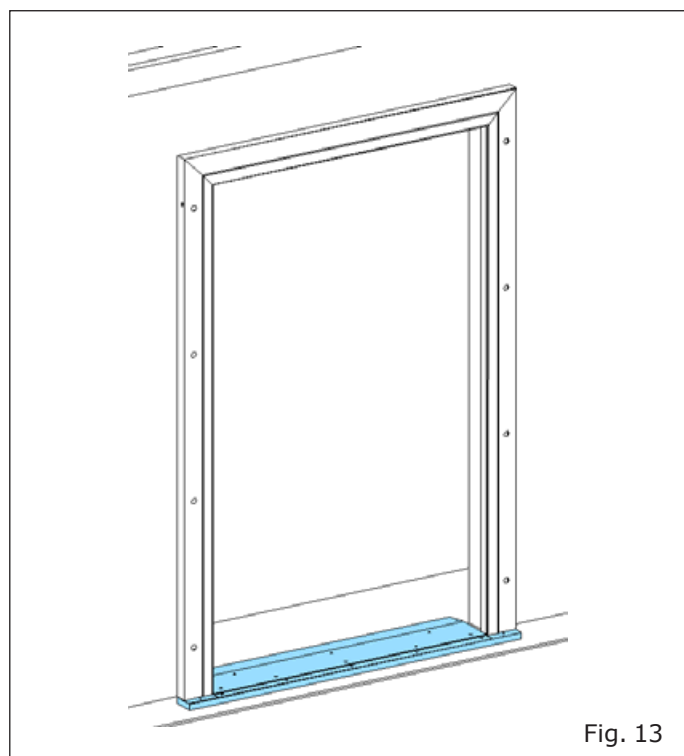
Remember that for MT doors they're in PVC and for the LT doors they're in aluminium.



- If present, remove the heating cables from the door panel insulator, with their support profiles and the doorstep heating cable.



- Remove doorstep, doorstep cover and internal flight.



Modello - Modèle - Model Modell - Modelo - Modelo	IP,IN,IP-G&IPS,INS,IPS-GDOORS	
Fabbricante - Constructeur - Manufacturer Hersteller - Fabricante - Fabricante	Epta Spa - Via Mecenate, 86 - 20138 Milano (MI) ITALIA Tel. 02/55403211 Telefax 02/55401023	8/10

Dissassembly manual

IT

FR

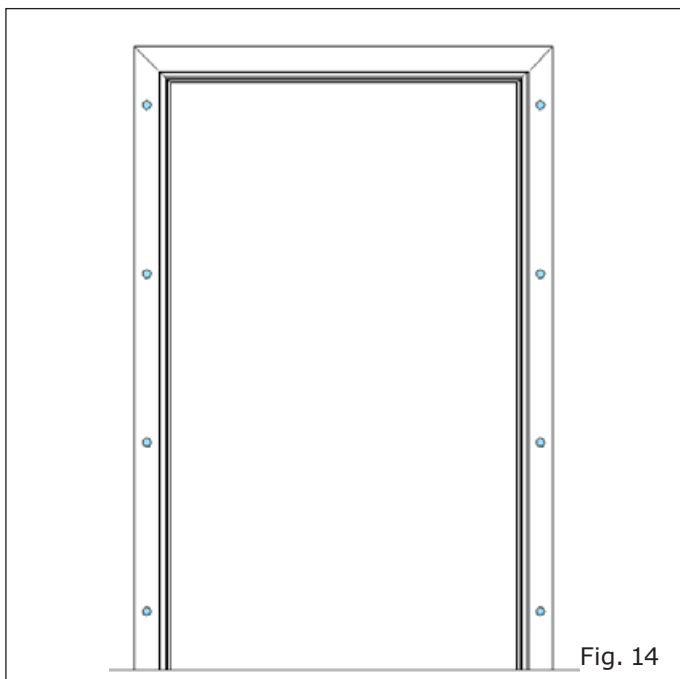
EN

DE

ES

PT

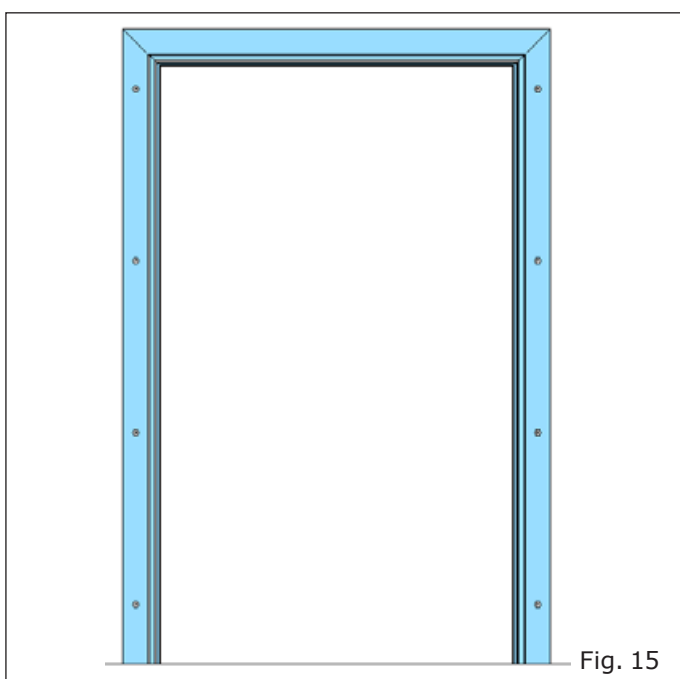
- Remove the caps
- Disassemble the tightenings that secure the frame to the coldroom
- Remove the internal tie-rods.



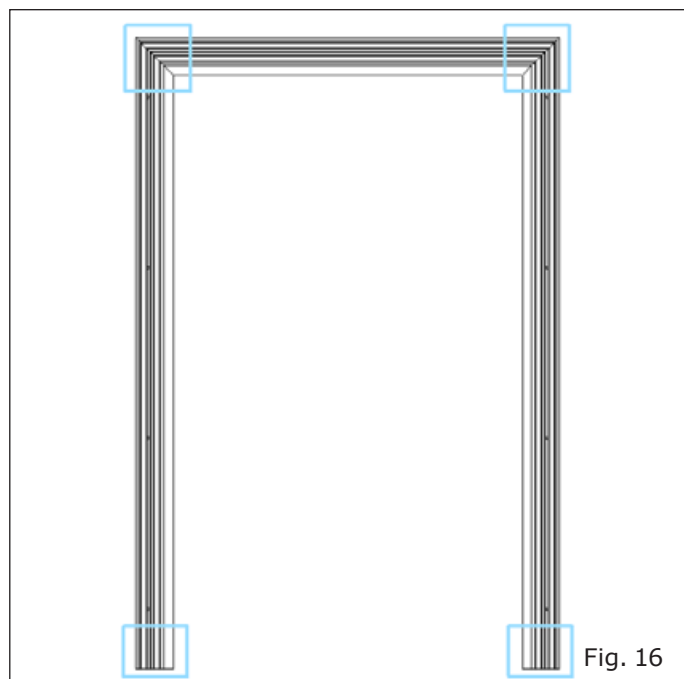
- Remove the frame assembly from the coldroom.



Pay attention to the internal metal cores.



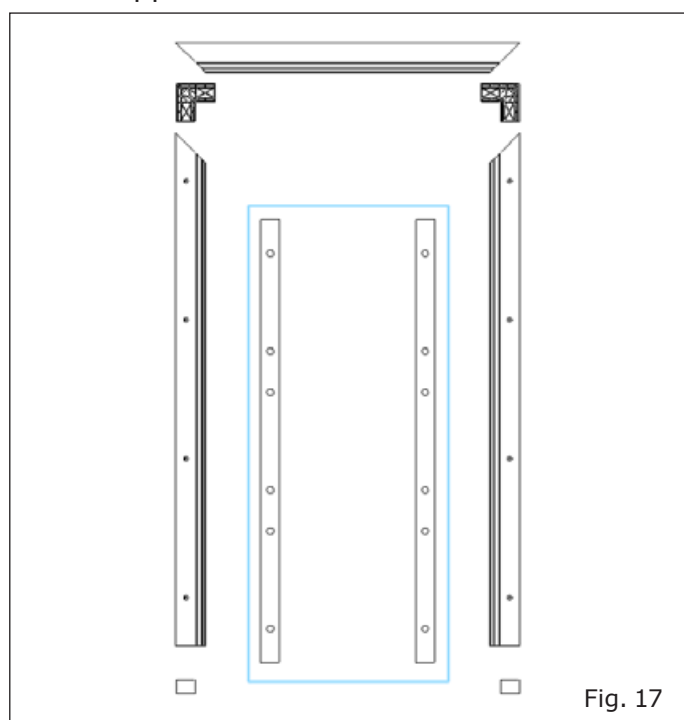
- Remove all the screws in the highlighted areas of rear frame.



- Remove the support base.

The components below have been obtained from the disassembly of the frame.

They're all in plastic, except for the two encircled metal support.



Modello - Modèle - Model Modell - Modelo - Modelo	IP,IN,IP-G&IPS,INS,IPS-GDOORS	
Fabbricante - Constructeur - Manufacturer Hersteller - Fabricante - Fabricante	Epta Spa - Via Mecenate, 86 - 20138 Milano (MI) ITALIA Tel. 02/55403211 Telefax 02/55401023	9/10

- IT
- FR
- EN
- DE
- ES
- PT



www.misa-coldrooms.com



www.eptarefrigeration.com