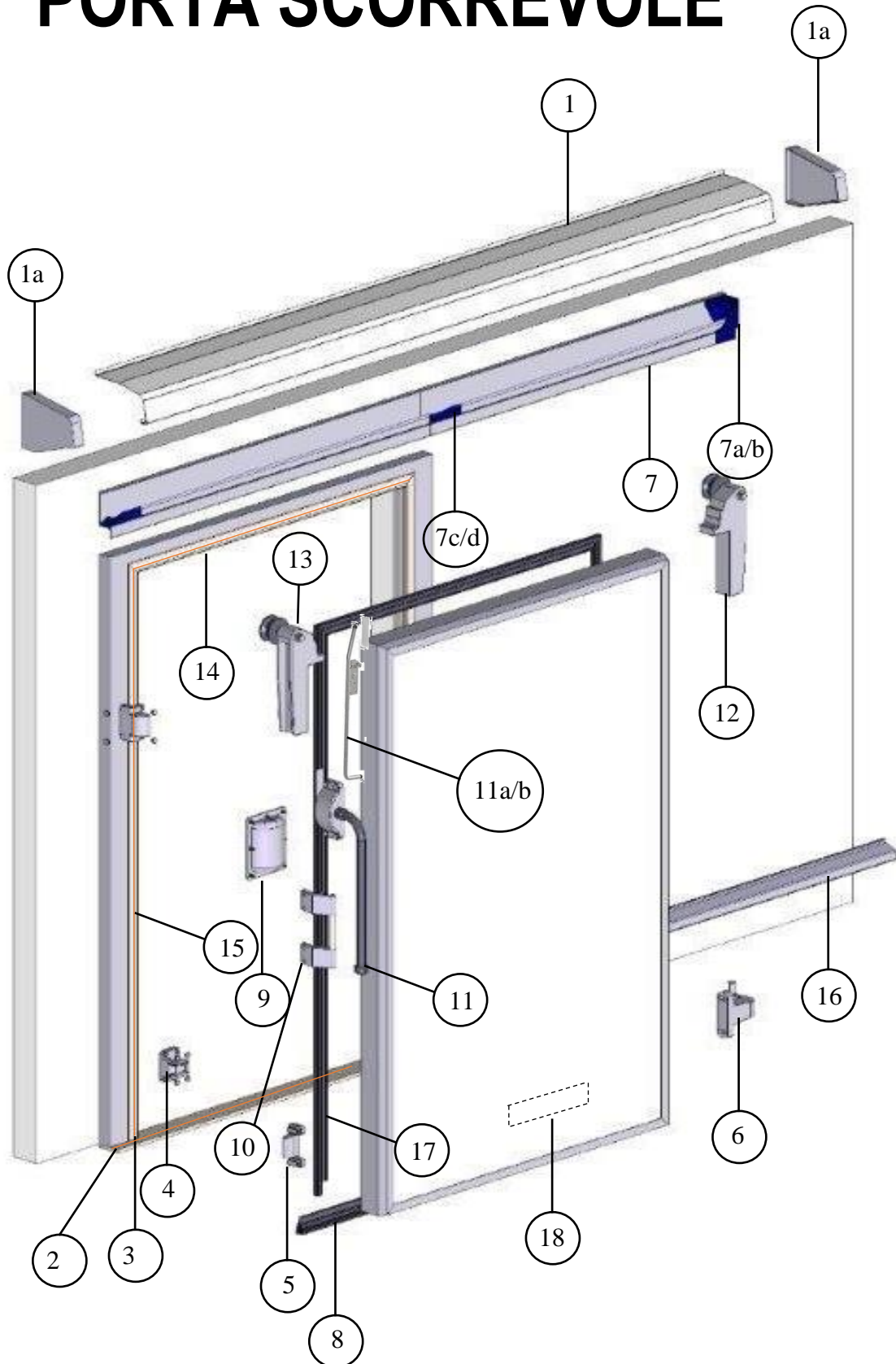


PORTA SCORREVOLE



POSIZIONE	CODICE	DESCRIZIONE
1	TAB A	
1a	MS010247	COPPIA TAPPI COPERTINA
2	TAB X	
3	TAB Y	
4	MS012753	RISCONTRO GANCIO RAL 7004
5	MS012754	GANCIO CHIUSURA RAL 7004
6	MS012802	REGISTRO POST. DX/SX RAL 7004
6a	MS010248	PERNO PER REGISTRO POSTERIORE 24RCR003
7	TAB B	
7a	MS010249	TESTATA BINARIO DX 24ACT004
7b	MS010250	TESTATA BINARIO SX 24ACT005
7c	MS010251	CURVA CON INCAVO DX 24ACC003
7d	MS010252	CURVA CON INCAVO SX 24ACC004
8	MS010864	GUARN.FONDO MTH L=2550
9	MS019507	MANIGLIA INT. FISSA COMPLETA
10	MS019508	MANIGLIA EST. FISSA COMPLETA
11	TAB C	
11a	MS019505	MANIGLIA INT. DX COMPLETA
11b	MS019506	MANIGLIA INT. SX COMPLETA
12	MS019540	SUPPORTO MISA/DX ASS. RAL 7004
13	MS019539	SUPPORTO MISA/SX ASS. RAL 7004
14	TAB D	
15dx	TAB E	
15sx	TAB E	
16	TAB F	
17	TAB G	

TAB A		
MS019776	COPERTINA ASSIEMATA PS/12	PS 12
MS019777	COPERTINA ASSIEMATA PS/16	PS 16
MS019778	COPERTINA ASSIEMATA PS/20	PS 20
MS019779	COPERTINA ASSIEMATA PS/24	PS 24

TAB B			
MS019766	BINARIO ASSIEMATO PS/12	DX	PS 12
MS019770	BINARIO ASSIEMATO PS/12	SX	PS 12
MS019767	BINARIO ASSIEMATO PS/16	DX	PS 16
MS019771	BINARIO ASSIEMATO PS/16	SX	PS 16
MS019768	BINARIO ASSIEMATO PS/20	DX	PS 20
MS019772	BINARIO ASSIEMATO PS/20	SX	PS 20
MS019769	BINARIO ASSIEMATO PS/24	DX	PS 24
MS019773	BINARIO ASSIEMATO PS/24	SX	PS 24

TAB C		
MS019509	MAN. EST. A LEVA COMPLETA S10	S10
MS019504	MAN. EST. A LEVA COMPLETA S13	S13
MS019519	MAN. EST. A LEVA COMPLETA S6	S6

TAB D		
MS026934A	PROF.ALL.COPERT.TEL.IX 1261	PS 12
MS026935A	PROF.ALL.COPERT.TEL.IX 1661	PS 16
MS026936A	PROF.ALL.COPERT.TEL.IX 2061	PS 20
MS026937A	PROF.ALL.COPERT.TEL.IX 2461	PS 24

TAB E		
MS026585A	PROF.ALL.COPERT.TEL.IX 2243 DX	PS /220
MS026586A	PROF.ALL.COPERT.TEL.IX 2243 SX	PS /220
MS026938A	PROF.ALL.COPERT.TEL.IX 2043 DX	PS /200
MS026939A	PROF.ALL.COPERT.TEL.IX 2043 SX	PS /200
MS026940A	PROF.ALL.COPERT.TEL.IX 2443 DX	PS /240
MS026941A	PROF.ALL.COPERT.TEL.IX 2443 SX	PS /240
MS026942A	PROF.ALL.COPERT.TEL.IX 2843 DX	PS /280
MS026943A	PROF.ALL.COPERT.TEL.IX 2843 SX	PS /280
MS026944A	PROF.ALL.COPERT.TEL.IX 3243 DX	PS /320
MS026945A	PROF.ALL.COPERT.TEL.IX 3243 SX	PS /320

TAB F		
MS019832	SET GUIDA PS12DX L1340 RAL7004	PS 12
MS019833	SET GUIDA PS12SX L1340 RAL7004	PS 12
MS019834	SET GUIDA PS16DX L1740 RAL7004	PS 16
MS019835	SET GUIDA PS16SX L1740 RAL7004	PS 16
MS019836	SET GUIDA PS20DX L2140 RAL7004	PS 20
MS019837	SET GUIDA PS20SX L2140 RAL7004	PS 20
MS019838	SET GUIDA PS24DX L2540 RAL7004	PS 24
MS019839	SET GUIDA PS24SX L2540 RAL7004	PS 24

TAB G	
MS010861	GUARN.LAT. MTH ROT.15MT
7,5m	PS 16/280
8,5m	PS 20/320
5,5m	PS 12/220
6,5m	PS 16/220
8m	PS 20/280
9m	PS 24/320
5,5m	PS 12/200
6,5m	PS 12/240
7m	PS 16/240
7m	PS 20/240

LAMIERE RACCORDO VERTICALI		
MS028151	LAM.RACC.VERT. 200 S 6	PS /200 S 6
MS028152	LAM.RACC.VERT. 200 S 8	PS /200 S 8
MS028159	LAM.RACC.VERT. 200 S 9	PS /200 S 9
MS028153	LAM.RACC.VERT. 200 S10	PS /200 S10
MS028154	LAM.RACC.VERT. 200 S12	PS /200 S12
MS028155	LAM.RACC.VERT. 200 S13	PS /200 S13
MS028156	LAM.RACC.VERT. 200 S15	PS /200 S15
MS028157	LAM.RACC.VERT. 200 S18	PS /200 S18
MS028158	LAM.RACC.VERT. 200 S20	PS /200 S20
MS028241	LAM.RACC.VERT. 220 S 6 NT	PS /220 S 6
MS028242	LAM.RACC.VERT. 220 S 8 NT	PS /220 S 8
MS028243	LAM.RACC.VERT. 220 S10 NT	PS /220 S10
MS028244	LAM.RACC.VERT. 220 S12 NT	PS /220 S12
MS028245	LAM.RACC.VERT. 220 S13 NT	PS /220 S13
MS028246	LAM.RACC.VERT. 220 S15 NT	PS /220 S15
MS028247	LAM.RACC.VERT. 220 S18 NT	PS /220 S18
MS028248	LAM.RACC.VERT. 220 S20 NT	PS /220 S20
MS028161	LAM.RACC.VERT. 240 S 6	PS /240 S 6
MS028162	LAM.RACC.VERT. 240 S 8	PS /240 S 8
MS028163	LAM.RACC.VERT. 240 S10	PS /240 S10
MS028164	LAM.RACC.VERT. 240 S12	PS /240 S12
MS028165	LAM.RACC.VERT. 240 S13	PS /240 S13
MS028166	LAM.RACC.VERT. 240 S15	PS /240 S15
MS028167	LAM.RACC.VERT. 240 S18	PS /240 S18
MS028168	LAM.RACC.VERT. 240 S20	PS /240 S20
MS028171	LAM.RACC.VERT. 280 S 6	PS /280 S 6
MS028172	LAM.RACC.VERT. 280 S 8	PS /280 S 8
MS028173	LAM.RACC.VERT. 280 S10	PS /280 S10
MS028174	LAM.RACC.VERT. 280 S12	PS /280 S12
MS028175	LAM.RACC.VERT. 280 S13	PS /280 S13
MS028176	LAM.RACC.VERT. 280 S15	PS /280 S15
MS028177	LAM.RACC.VERT. 280 S18	PS /280 S18
MS028178	LAM.RACC.VERT. 280 S20	PS /280 S20
MS028181	LAM.RACC.VERT. 320 S 6	PS /320 S 6
MS028182	LAM.RACC.VERT. 320 S 8	PS /320 S 8
MS028183	LAM.RACC.VERT. 320 S10	PS /320 S10
MS028184	LAM.RACC.VERT. 320 S12	PS /320 S12
MS028185	LAM.RACC.VERT. 320 S13	PS /320 S13
MS028186	LAM.RACC.VERT. 320 S15	PS /320 S15
MS028187	LAM.RACC.VERT. 320 S18	PS /320 S18
MS028188	LAM.RACC.VERT. 320 S20	PS /320 S20

LAMIERE RACCORDO ORIZZONTALI		
MS028111	LAM.RACC.ORIZZ. 12 S 6	PS12 S 6
MS028112	LAM.RACC.ORIZZ. 12 S 8	PS12 S 8
MS028109	LAM.RACC.ORIZZ. 12 S 9	PS12 S 9
MS028113	LAM.RACC.ORIZZ. 12 S10	PS12 S10
MS028114	LAM.RACC.ORIZZ. 12 S12	PS12 S12
MS028115	LAM.RACC.ORIZZ. 12 S13	PS12 S13
MS028116	LAM.RACC.ORIZZ. 12 S15	PS12 S15
MS028117	LAM.RACC.ORIZZ. 12 S18	PS12 S18
MS028118	LAM.RACC.ORIZZ. 12 S20	PS12 S20
MS028121	LAM.RACC.ORIZZ. 16 S 6	PS16 S 6
MS028122	LAM.RACC.ORIZZ. 16 S 8	PS16 S 8
MS028123	LAM.RACC.ORIZZ. 16 S10	PS16 S10
MS028124	LAM.RACC.ORIZZ. 16 S12	PS16 S12
MS028125	LAM.RACC.ORIZZ. 16 S13	PS16 S13
MS028126	LAM.RACC.ORIZZ. 16 S15	PS16 S15
MS028127	LAM.RACC.ORIZZ. 16 S18	PS16 S18
MS028128	LAM.RACC.ORIZZ. 16 S20	PS16 S20
MS028131	LAM.RACC.ORIZZ. 20 S 6	PS20 S 6
MS028132	LAM.RACC.ORIZZ. 20 S 8	PS20 S 8
MS028133	LAM.RACC.ORIZZ. 20 S10	PS20 S10
MS028134	LAM.RACC.ORIZZ. 20 S12	PS20 S12
MS028135	LAM.RACC.ORIZZ. 20 S13	PS20 S13
MS028136	LAM.RACC.ORIZZ. 20 S15	PS20 S15
MS028137	LAM.RACC.ORIZZ. 20 S18	PS20 S18
MS028138	LAM.RACC.ORIZZ. 20 S20	PS20 S20
MS028141	LAM.RACC.ORIZZ. 24 S 6	PS24 S 6
MS028142	LAM.RACC.ORIZZ. 24 S 8	PS24 S 8
MS028143	LAM.RACC.ORIZZ. 24 S10	PS24 S10
MS028144	LAM.RACC.ORIZZ. 24 S12	PS24 S12
MS028145	LAM.RACC.ORIZZ. 24 S13	PS24 S13
MS028146	LAM.RACC.ORIZZ. 24 S15	PS24 S15
MS028147	LAM.RACC.ORIZZ. 24 S18	PS24 S18
MS028148	LAM.RACC.ORIZZ. 24 S20	PS24 S20

TAB X		
MS016545	RES.ANTIC.MONOUCITA SPM L120	PS12
MS016546	RES.ANTIC.MONOUCITA SPM L160	PS16
MS016547	RES.ANTIC.MONOUCITA SPM L200	PS20
MS016548	RES.ANTIC.MONOUCITA SPM L240	PS24

TAB Y		
MS016583	RES.ANTIC. BT L 9500	PS 12/200
MS016584	RES.ANTIC. BT L10340	PS 12/220-240
MS016585	RES.ANTIC. BT L10720	PS 16/240
MS016586	RES.ANTIC. BT L12560	PS 16/280
MS016587	RES.ANTIC. BT L12320	PS 20/240
MS016588	RES.ANTIC. BT L13160	PS 20/280
MS016589	RES.ANTIC. BT L14900	PS 20/320
MS016590	RES.ANTIC. BT L14700	PS 24/320

PORTE SCORREVOLI CON GUIDOVIA – PS /G

LAMIERE RACCORDO ORIZZ GUIDOVIA		
MS028201	LAM.RACC.ORIZZ. 12/G S 6 NT DX	PS 12/G S 6
MS028202	LAM.RACC.ORIZZ. 12/G S 6 NT SX	PS 12/G S 6
MS028203	LAM.RACC.ORIZZ. 12/G S 8 NT DX	PS 12/G S 8
MS028204	LAM.RACC.ORIZZ. 12/G S 8 NT SX	PS 12/G S 8
MS028205	LAM.RACC.ORIZZ. 12/G S10 NT DX	PS 12/G S10
MS028206	LAM.RACC.ORIZZ. 12/G S10 NT SX	PS 12/G S10
MS028207	LAM.RACC.ORIZZ. 12/G S12 NT DX	PS 12/G S12
MS028208	LAM.RACC.ORIZZ. 12/G S12 NT SX	PS 12/G S12
MS028209	LAM.RACC.ORIZZ. 12/G S13 NT DX	PS 12/G S13
MS028210	LAM.RACC.ORIZZ. 12/G S13 NT SX	PS 12/G S13
MS028211	LAM.RACC.ORIZZ. 12/G S15 NT DX	PS 12/G S15
MS028212	LAM.RACC.ORIZZ. 12/G S15 NT SX	PS 12/G S15
MS028213	LAM.RACC.ORIZZ. 12/G S18 NT DX	PS 12/G S18
MS028214	LAM.RACC.ORIZZ. 12/G S18 NT SX	PS 12/G S18
MS028215	LAM.RACC.ORIZZ. 12/G S20 NT DX	PS 12/G S20
MS028216	LAM.RACC.ORIZZ. 12/G S20 NT SX	PS 12/G S20
MS028221	LAM.RACC.ORIZZ. 16/G S 6 NT DX	PS 16/G S 6
MS028222	LAM.RACC.ORIZZ. 16/G S 6 NT SX	PS 16/G S 6
MS028223	LAM.RACC.ORIZZ. 16/G S 8 NT DX	PS 16/G S 8
MS028224	LAM.RACC.ORIZZ. 16/G S 8 NT SX	PS 16/G S 8
MS028225	LAM.RACC.ORIZZ. 16/G S10 NT DX	PS 16/G S10
MS028226	LAM.RACC.ORIZZ. 16/G S10 NT SX	PS 16/G S10
MS028227	LAM.RACC.ORIZZ. 16/G S12 NT DX	PS 16/G S12
MS028228	LAM.RACC.ORIZZ. 16/G S12 NT SX	PS 16/G S12
MS028229	LAM.RACC.ORIZZ. 16/G S13 NT DX	PS 16/G S13
MS028230	LAM.RACC.ORIZZ. 16/G S13 NT SX	PS 16/G S13
MS028231	LAM.RACC.ORIZZ. 16/G S15 NT DX	PS 16/G S15
MS028232	LAM.RACC.ORIZZ. 16/G S15 NT SX	PS 16/G S15
MS028233	LAM.RACC.ORIZZ. 16/G S18 NT DX	PS 16/G S18
MS028234	LAM.RACC.ORIZZ. 16/G S18 NT SX	PS 16/G S18
MS028235	LAM.RACC.ORIZZ. 16/G S20 NT DX	PS 16/G S20
MS028236	LAM.RACC.ORIZZ. 16/G S20 NT SX	PS 16/G S20

RIVESTIMENTO ORIZZONTALE GUIDOVIA		
MS028251	RIV.ORIZZ.GUIDOV. S 6X353 NT	S6
MS028252	RIV.ORIZZ.GUIDOV. S 8X353 NT	S8
MS028253	RIV.ORIZZ.GUIDOV. S 10X353 NT	S10
MS028254	RIV.ORIZZ.GUIDOV. S 12X353 NT	S12
MS028255	RIV.ORIZZ.GUIDOV. S 13X353 NT	S13
MS028256	RIV.ORIZZ.GUIDOV. S 15X353 NT	S15
MS028257	RIV.ORIZZ.GUIDOV. S 18X353 NT	S18
MS028258	RIV.ORIZZ.GUIDOV. S 20X353 NT	S20

RIVESTIMENTO LATERALE GUIDOVIA		
MS028261	RIV.LAT.GUIDOV. S 6X500 SX NT	S6
MS028262	RIV.LAT.GUIDOV. S 6X500 DX NT	S6
MS028263	RIV.LAT.GUIDOV. S 8X500 SX NT	S8
MS028264	RIV.LAT.GUIDOV. S 8X500 DX NT	S8
MS028266	RIV.LAT.GUIDOV. S10X500 DX NT	S10
MS028265	RIV.LAT.GUIDOV. S10X500 SX NT	S10
MS028267	RIV.LAT.GUIDOV. S12X500 DX NT	S12
MS028268	RIV.LAT.GUIDOV. S12X500 SX NT	S12
MS028270	RIV.LAT.GUIDOV. S13X500 DX NT	S13
MS028269	RIV.LAT.GUIDOV. S13X500 SX NT	S13
MS028271	RIV.LAT.GUIDOV. S15X500 SX NT	S15
MS028272	RIV.LAT.GUIDOV. S15X500 DX NT	S15
MS028273	RIV.LAT.GUIDOV. S18X500 SX NT	S18
MS028274	RIV.LAT.GUIDOV. S18X500 DX NT	S18
MS028275	RIV.LAT.GUIDOV. S20X500 SX NT	S20
MS028276	RIV.LAT.GUIDOV. S20X500 DX NT	S20

MS028217	STRIS.NEOPR.GUID.515X200	
----------	--------------------------	--

PROFILO PVC SUPERIORE TELAIO INOX		
MS026980A	PROF.PVC SUP.TEL.IX 1262	PS 12
MS026981A	PROF.PVC SUP.TEL.IX 1662	PS 16
MS026982A	PROF.PVC SUP.TEL.IX 2062	PS 20
MS026983A	PROF.PVC SUP.TEL.IX 2462	PS 24

NB Le lamiere di raccordo verticali per porte con guidovia sono le stesse delle porte senza guidovia