



Misa Industrial door

IP/IN/IP-G – IPS/INS/IPS-G



Summary

1

Product Overview

- A new range made for industrial use
- Tailored dimensionnal range
- Product at a glance
- Renders

2

Main Features

- PVC door frame profile
- Smart gasket design
- Adjustable mechanisms
- Sustainable conception

3

Technical Data

- Dimensions
- Gasket heater consumption

4

Product Offer

- IP/IN/IP-G Hinged door
- IPS/INS/IPS-G Sliding door
- Hinges
- Sliding rail
- Handles
- Threshold
- Internal options
- External options
- Meat rail
- Rail roof support
- Phased out products



This information is confidential and was prepared by Epta solely for our internal use. It is not to be relied on by any third party without Epta prior written consent. Marketing 09/2020

New industrial door Summary



1

Product Overview

- A new range made for industrial use
- Tailored dimensionnal range
- Product at a glance
- Renders



BACK TO SUMMARY



This information is confidential and was prepared by Epta solely for our internal use. It is not to be relied on by any third party without Epta prior written consent. Marketing 09/2020

New
industrial
door
Summary



Overview

A new door made for industrial use

Misa refreshes its industrial door offer for KLC and BETA coldrooms introducing a customizable and economical new frame concept.

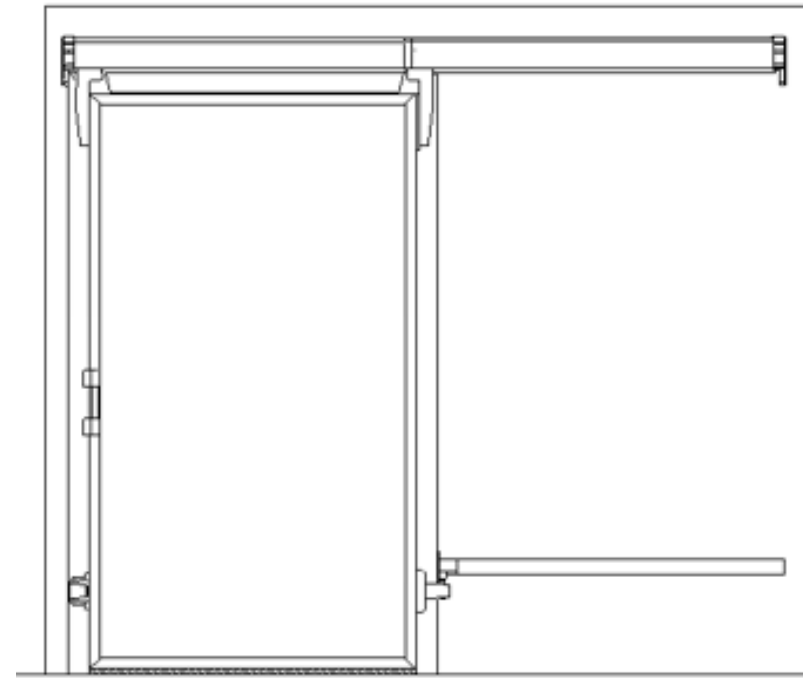
The new **IP/IN**, **IPS/INS** and **IP-G/IPS-G** doors range is designed, tested and manufactured to resist heavy customer use in line with industrial standards that require high reliability and robust components.

Thanks to its **strengthened PVC door frame**, **adjustable mechanisms**, **first in class panel insulation** and **smart gasket concept**, Misa Industrial door is the right pick for either food transformation, retail or cold chain logistic processes.

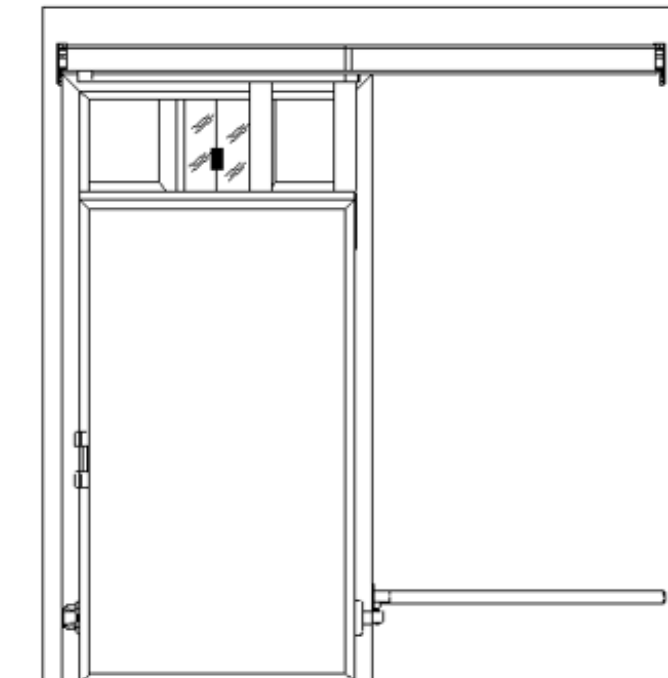
Our door portofolio has been reworked and adapted to current and future market need. It includes a large dimensional offer of free passage from **1m to 2,4m sliding doors** and from **1m to 1,60m hinged doors** made for both positive (60 mm) and negative (100 mm) climatic storage .

Some door sizes and models have been discontinued, please refer to phase out chapter part of this document.

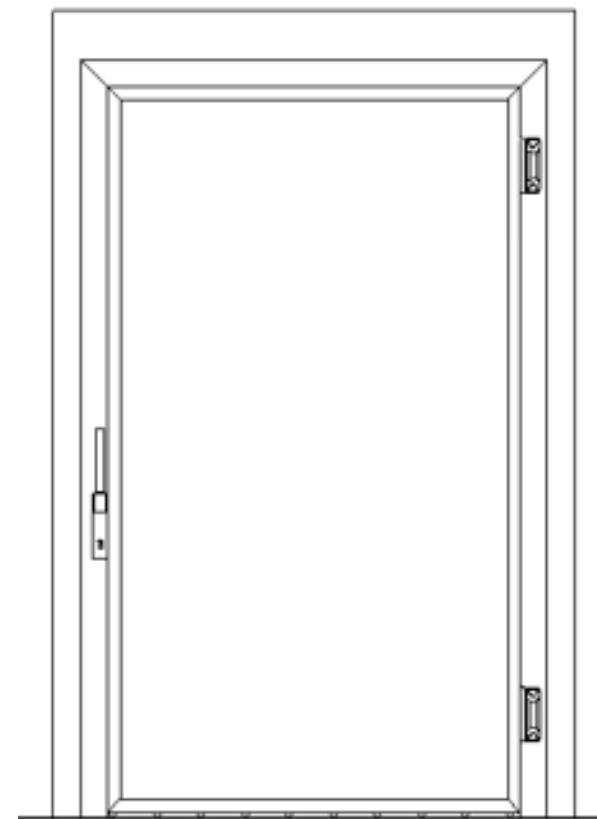
The commercial application sliding doors **PPS-PNS 8 to 9** and hinged doors **PP-PN 6 to 9** ranges **remain unchanged**.



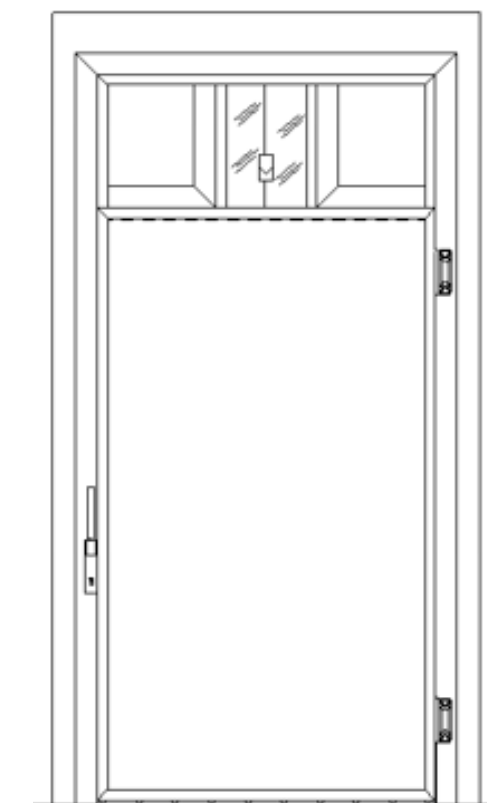
IPS – INS
Sliding range



IPS-G
Sliding range
Meat rail



IP – IN
Hinged range



IP-G
Hinged range
Meat rail



BACK TO SUMMARY



This information is confidential and was prepared by Epta solely for our internal use. It is not to be relied on by any third party without Epta prior written consent. Marketing 09/2020

New industrial door

PRODUCT OVERVIEW


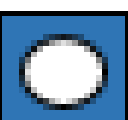
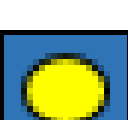


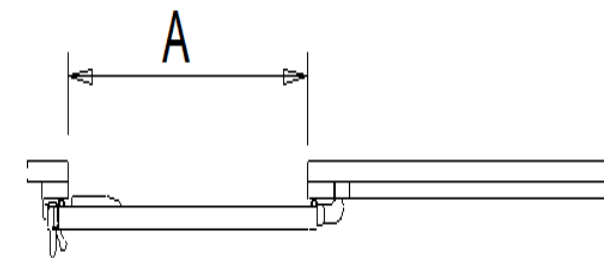
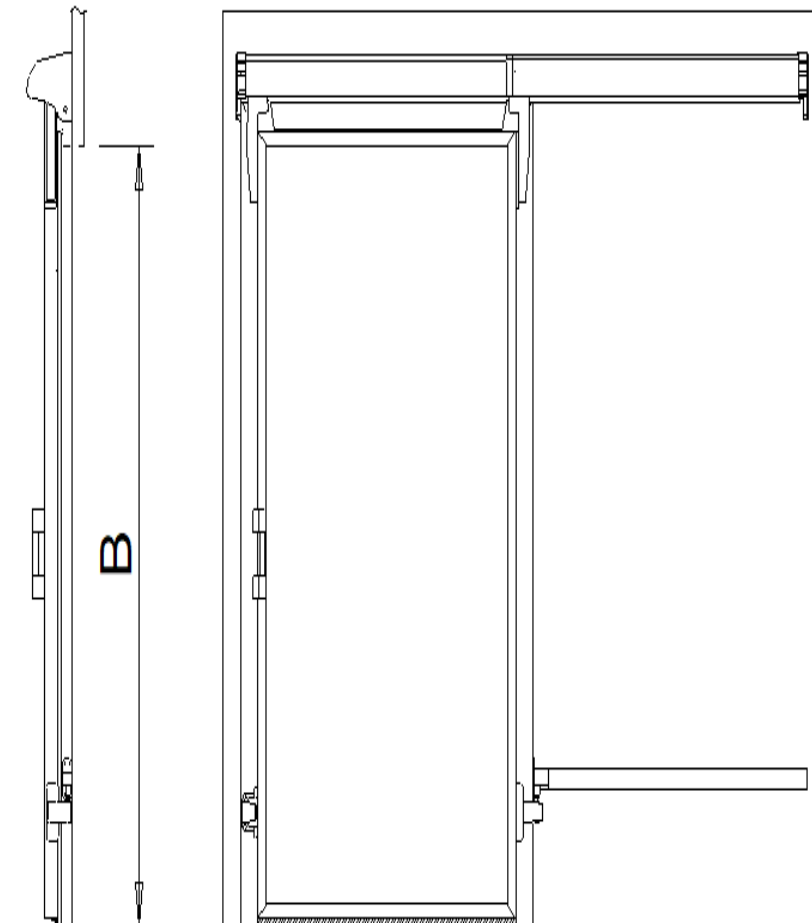
Overview

Tailored dimensional range

SLIDING DOORS
IPS / INS

B \ A	A															
	90	100	110	120	130	140	150	160	170	180	190	200	210	220	230	240
190	○	○	○	○	●	●	●	●	●	●	●	●	●	●	●	●
200	○	○	○	○	○	○	○	○	○	○	○	○	○	○	○	○
210	○	○	○	○	○	○	○	○	○	○	○	○	○	○	○	○
220	○	○	○	○	○	○	○	○	○	○	○	○	○	○	○	○
230	○	○	○	○	○	○	○	○	○	○	○	○	○	○	○	○
240	○	○	○	○	○	○	○	○	○	○	○	○	○	○	○	○
250	○	○	○	○	○	○	○	○	○	○	○	○	○	○	○	○
260	○	○	○	○	○	○	○	○	○	○	○	○	○	○	○	○
270	○	○	○	○	○	○	○	○	○	○	○	○	○	○	○	○
280	○	○	○	○	○	○	○	○	○	○	○	○	○	○	○	○
290	○	○	○	○	○	○	○	○	○	○	○	○	○	○	○	○
300	○	○	○	○	○	○	○	○	○	○	○	○	○	○	○	○
310	○	○	○	○	○	○	○	○	○	○	○	○	○	○	○	○
320	○	○	○	○	○	○	○	○	○	○	○	○	○	○	○	○

-  Standard model positive and negative applications
-  On demand model positive and negative applications
-  On demand model positive application only



BACK TO SUMMARY



MASTERY IN COLDROOMS



This information is confidential and was prepared by Epta solely for our internal use. It is not to be relied on by any third party without Epta prior written consent. Marketing 09/2020

New industrial door


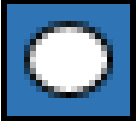

PRODUCT OVERVIEW



HINGED DOORS
IP / IN

B \ A	90	100	110	120	130	140	150	160
190	○	○	○	○	●	●	●	●
200	○	○	○	○	○	○	○	○
210	○	○	○	○	○	○	○	○
220	○	○	○	○	○	○	○	○
230	○	○	○	○	○	○	○	○
240	○	○	○	○	○	○	○	○



-  Standard model positive and negative applications
-  On demand model positive and negative applications
-  On demand model positive application only



New industrial door

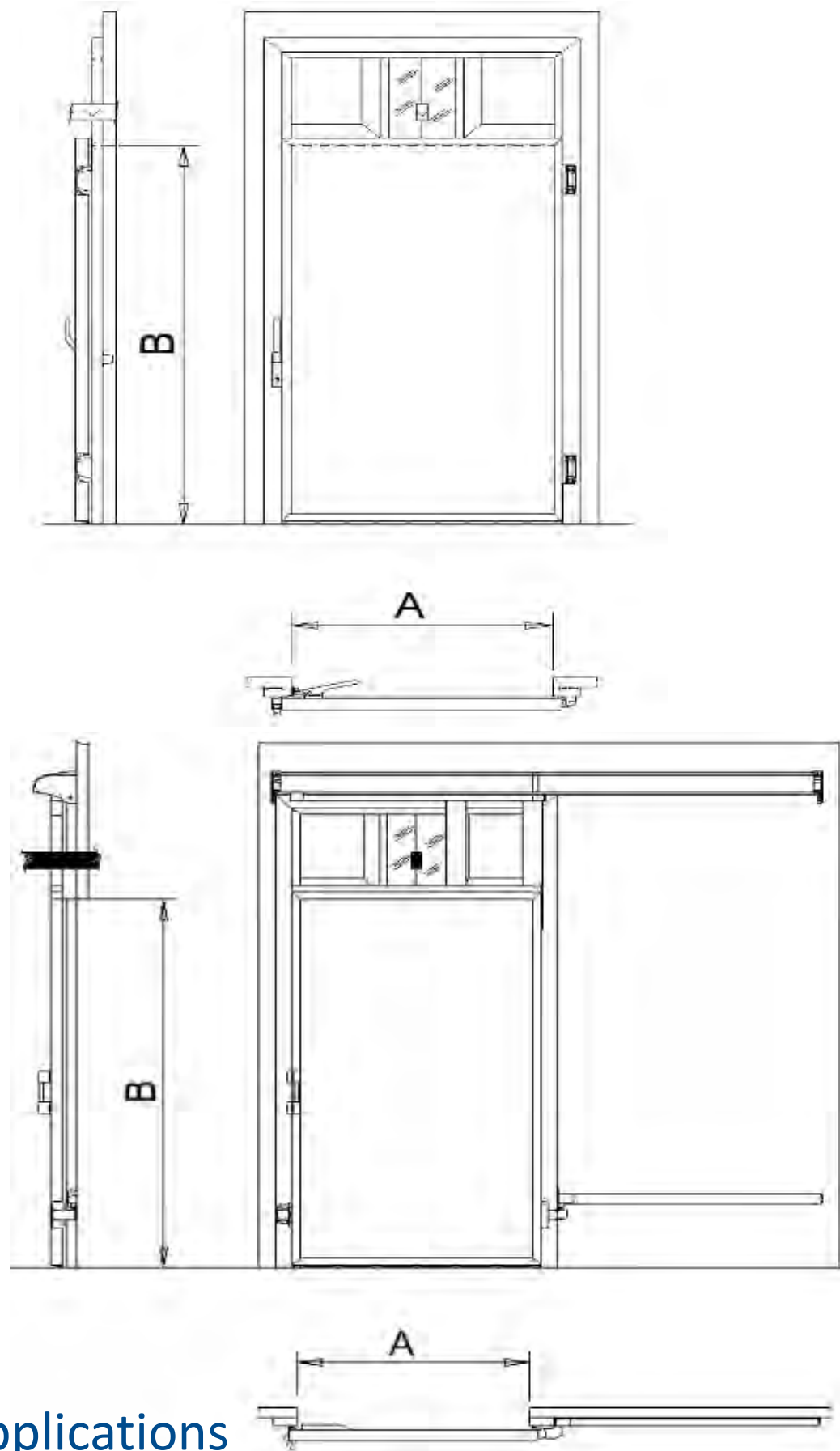
PRODUCT OVERVIEW

Overview

Tailored dimensional range

MEAT RAIL DOORS
IP-G / IPS-G

B \ A	90	100	110	120
190	○	○	○	○
200	○	○	○	○
210	○	○	○	○
220	○	○	○	●



- Standard model positive and negative applications
- On demand model positive and negative applications



BACK TO SUMMARY



MASTERY IN COLDROOMS



New
industrial
door

PRODUCT OVERVIEW



This information is confidential and was prepared by Epta solely for our internal use. It is not to be relied on by any third party without Epta prior written consent. Marketing 09/2020

Overview

Product at a glance

INDUSTRIAL HINGED IP / IN / IP-G

DOOR FRAME
OPTIONAL INOX COVER
AISI 304 stainless steel

GASKET CONTACT WITHOUT HEATER
(positive only)
White ral 9010 shockproof pvc profile

GASKET CONTACT WITH HEATER
(negative only)
Anti condensation gasket heater.
Anodized aluminum cover all along the door
frame perimeter in contact with the panel
gasket

INTERNAL RAMP
(coldrooms with floor only)
Galvanized metal sheet

THRESHOLD
Galvanized metal sheet as standard suitable
for trolley passage
Integrated heater for negative application

EXTERNAL RAMP
(coldrooms with floor only)
Threshold step as option
Inclined galvanized ramp as option



DOOR FRAME
White ral 9010 shockproof pvc profile

PANEL
Insulated sandwich panel with PUR foam
density 40 kg/m3. Antibacterial "Epta Food
Defense" RAL 9010 pvc coated sheet metal.
AISI 304 stainless steel internal / external as
option
Optional external panel protection H
1000mm in aluminium or AISI 304 stainless
steel as option

PANEL GASKET
Rubber sealing gasket easy to replace

PANEL FRAME
Anodized aluminium profile

HANDLES
Reinforced external handle. Key locks as
option
Internal emergency handle

HINGES
Left or right Hinges in composite material,
low temperature and corrosion resistant
equipped with position adjustment devices

SIDE COVER SHEETS
Antibacterial "Epta Food Defense" RAL 9010
pvc coated sheet metal. AISI 304 stainless
steel as option.



BACK TO SUMMARY



MASTERY IN COLDROOMS



This information is confidential and was prepared by Epta solely for our internal use. It is not to be relied on by any third party without Epta prior written consent. Marketing 09/2020

New industrial door

PRODUCT OVERVIEW



Overview

Product at a glance

INDUSTRIAL SLIDING IPS / INS / IPS-G

UPPER RAIL & COVER
Anodized aluminium upper rail and cover with integrated damper

SLIDING MECHANISM
Left or right door opening
High resistance plastic wheels and brackets
Adjustable door position mechanism

PANEL GASKET
Rubber sealing gasket easy to replace

PANEL
Insulated sandwich panel with PUR foam density 40 kg/m³. Antibacterial "Epta Food Defense" RAL 9010 pvc coated sheet metal. AISI 304 stainless steel internal / external as option
Optional external panel protection H 1000mm in aluminium or AISI 304 stainless steel as option

HANDLES
Reinforced external handle.
Key lock as option. Lever handle internal/external as option.
Internal emergency handle

LOWER RAIL
Anodized aluminium

PANEL FRAME
Anodized aluminium profile



DOOR FRAME
White ral 9010 shockproof pvc profile
Inox AISI 304 stainless steel as option

GASKET CONTACT WITHOUT HEATER
(positive only)
White ral 9010 shockproof pvc profile

GASKET CONTACT WITH HEATER
(negative only)
Anti condensation gasket heater.
Anodized aluminum cover all along the door frame perimeter in contact with the panel gasket

SIDE COVER SHEETS
Antibacterial "Epta Food Defense" RAL 9010 plasticized sheet metal. Inox AISI 304 stainless steel as option.

INTERNAL RAMP
(coldrooms with floor only)
Galvanized metal sheet

THRESHOLD
Galvanized metal sheet as standard suitable for trolley passage
Integrated heater for negative application

EXTERNAL RAMP
(coldrooms with floor only)
Threshold step as option
Inclined galvanized ramp 30/10 as option



BACK TO SUMMARY



MASTERY IN COLDROOMS



This information is confidential and was prepared by Epta solely for our internal use. It is not to be relied on by any third party without Epta prior written consent. Marketing 09/2020

New industrial door

PRODUCT OVERVIEW





Presented model IP hinged door for positive application with pvc frame



BACK TO SUMMARY



This information is confidential and was prepared by Epta solely for our internal use. It is not to be relied on by any third party without Epta prior written consent. Marketing 09/2020

New industrial door

PRODUCT OVERVIEW





Presented model IN hinged door for negative application with stainless steel frame cover



BACK TO SUMMARY



This information is confidential and was prepared by Epta solely for our internal use. It is not to be relied on by any third party without Epta prior written consent. Marketing 09/2020

New industrial door

PRODUCT OVERVIEW





Presented model IPS sliding door for positive application with pvc frame



BACK TO SUMMARY



This information is confidential and was prepared by Epta solely for our internal use. It is not to be relied on by any third party without Epta prior written consent. Marketing 09/2020

New industrial door

PRODUCT OVERVIEW





Presented model INS sliding door for negative application with stainless steel frame cover



BACK TO SUMMARY



MASTERY IN COLDROOMS



This information is confidential and was prepared by Epta solely for our internal use. It is not to be relied on by any third party without Epta prior written consent. Marketing 09/2020

New industrial door

PRODUCT OVERVIEW



2

Main Features

- PVC door frame profile
- Smart gasket design
- Adjustable mechanisms
- Sustainable conception



BACK TO SUMMARY



MASTERY IN COLDROOMS



This information is confidential and was prepared by Epta solely for our internal use. It is not to be relied on by any third party without Epta prior written consent. Marketing 09/2020



New
industrial
door
Summary



Main Features

PVC door frame profile

BACK TO SUMMARY



New industrial door

MAIN FEATURES

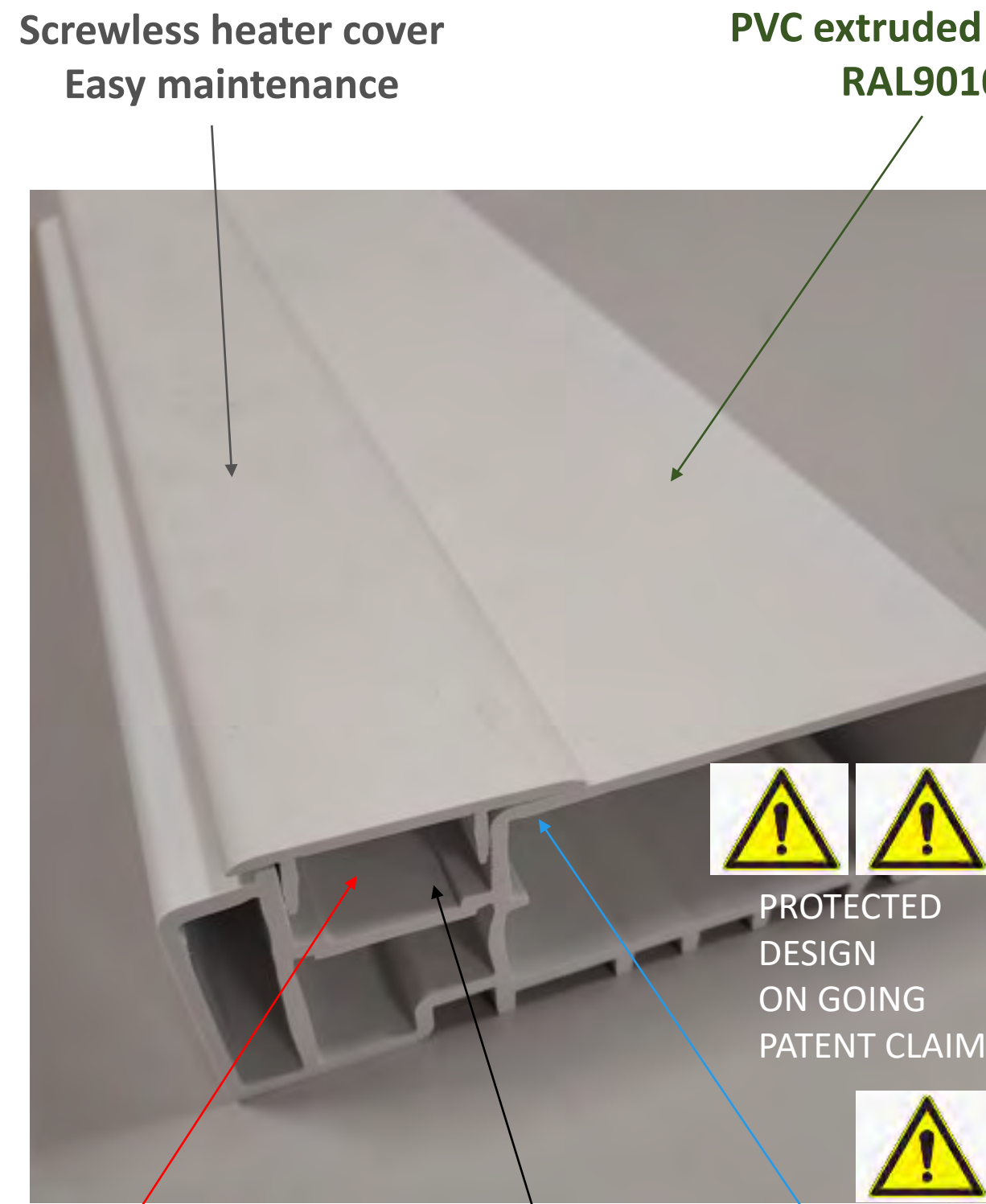
This information is confidential and was prepared by Epta solely for our internal use. It is not to be relied on by any third party without Epta prior written consent. Marketing 09/2020

New Misa industrial door frame profile made of PVC with internal aluminium reinforcement heavy shock resistant and then suitable for industrial use.

Reduced heat transfert and enhanced behaviour versus condensation make it a better solution compared to inox or aluminium frames.

Our PVC door frame is not affected by corrosion effects and is more difficult to scratch than metallic frames.

Last by not least, Misa Industrial door PVC frame is easy to clean just using water and soap.



Screwless heater cover
Easy maintenance

PVC extruded profile
RAL9010

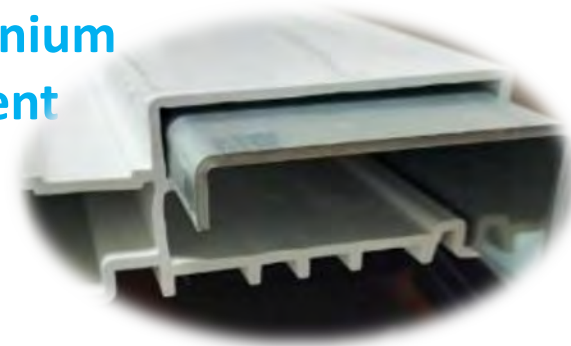
PROTECTED DESIGN ON GOING PATENT CLAIM



Heater system
(negative application only)

Gasket housing

Internal aluminium reinforcement



Inox frame cover
(optional)

PVC RAL9010 frame
(standard)

Main Features

PVC door frame profile 4 types of finishing

Positive application



Frame PVC
Gasket contact PVC

Negative application



Frame PVC
Gasket contact aluminium

PVC

INOX



Frame inox with cover
Gasket contact PVC



Frame with inox cover
Gasket contact aluminium



BACK TO SUMMARY



MASTERY IN COLDROOMS



This information is confidential and was prepared by Epta solely for our internal use. It is not to be relied on by any third party without Epta prior written consent. Marketing 09/2020

New industrial door

MAIN FEATURES



Main Features

Smart gasket design

Door gasket is an accessories that must be maintained and potentially replaced all along the coldroom life cycle. It has to be robust and reliable over the time.

For this reason, Misa industrial gaskets are made of PTE rubber that guarantees high resistance to mechanical stress and elasticity even with large temperature differences. The specific rubber doesn't peel off and then avoid black deposit or traces on the panel.

In order to make the replacement easy, our new gasket design is made of several discontinuous parts and angles that can be quickly changed on site in case of failure.



Door frame gasket

**New discontinuous design
Easy to replace**



Door threshold gasket



BACK TO SUMMARY



This information is confidential and was prepared by Epta solely for our internal use. It is not to be relied on by any third party without Epta prior written consent. Marketing 09/2020

**New
industrial
door**

MAIN FEATURES



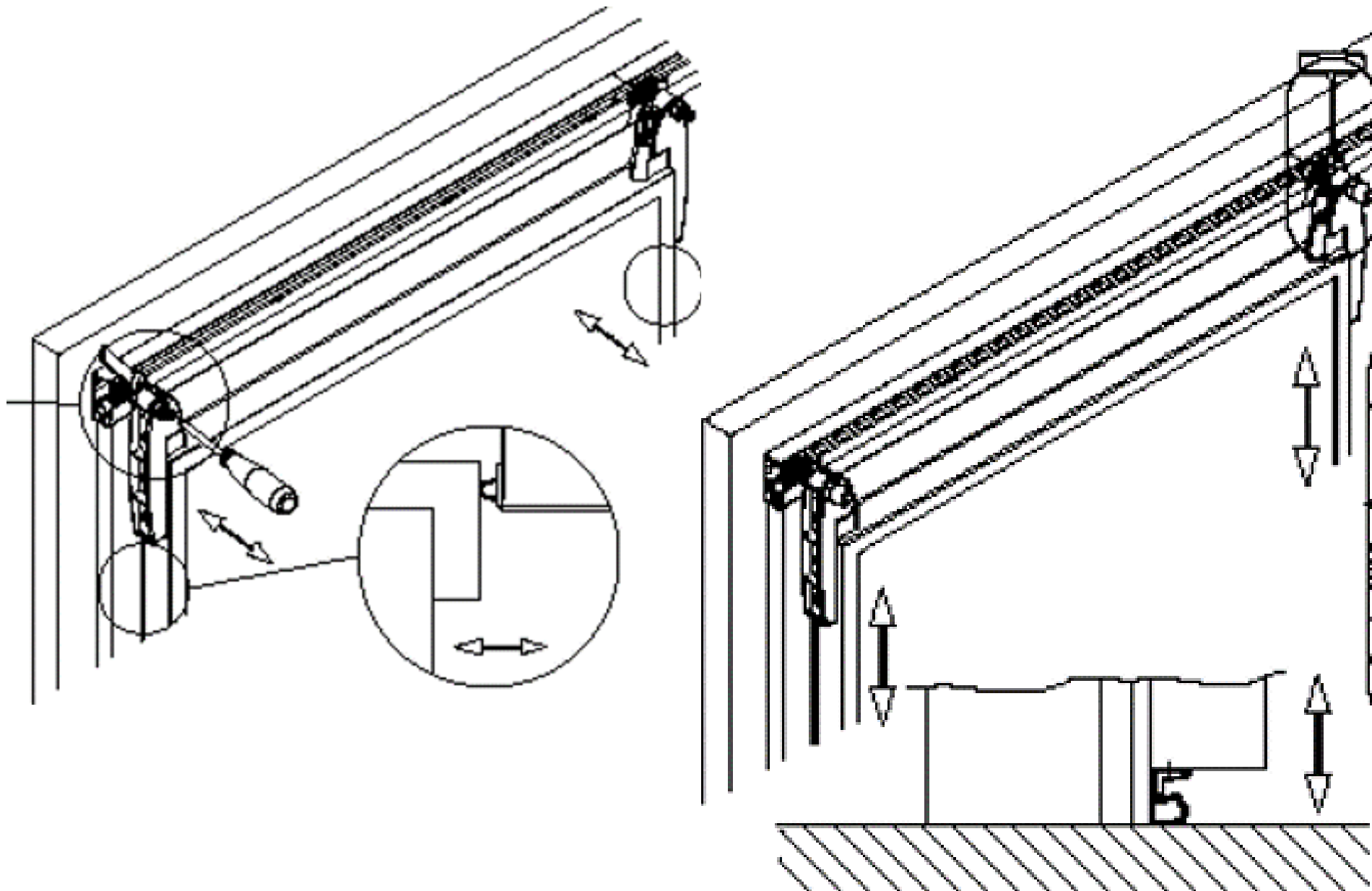
Main Features

Adjustable mechanisms

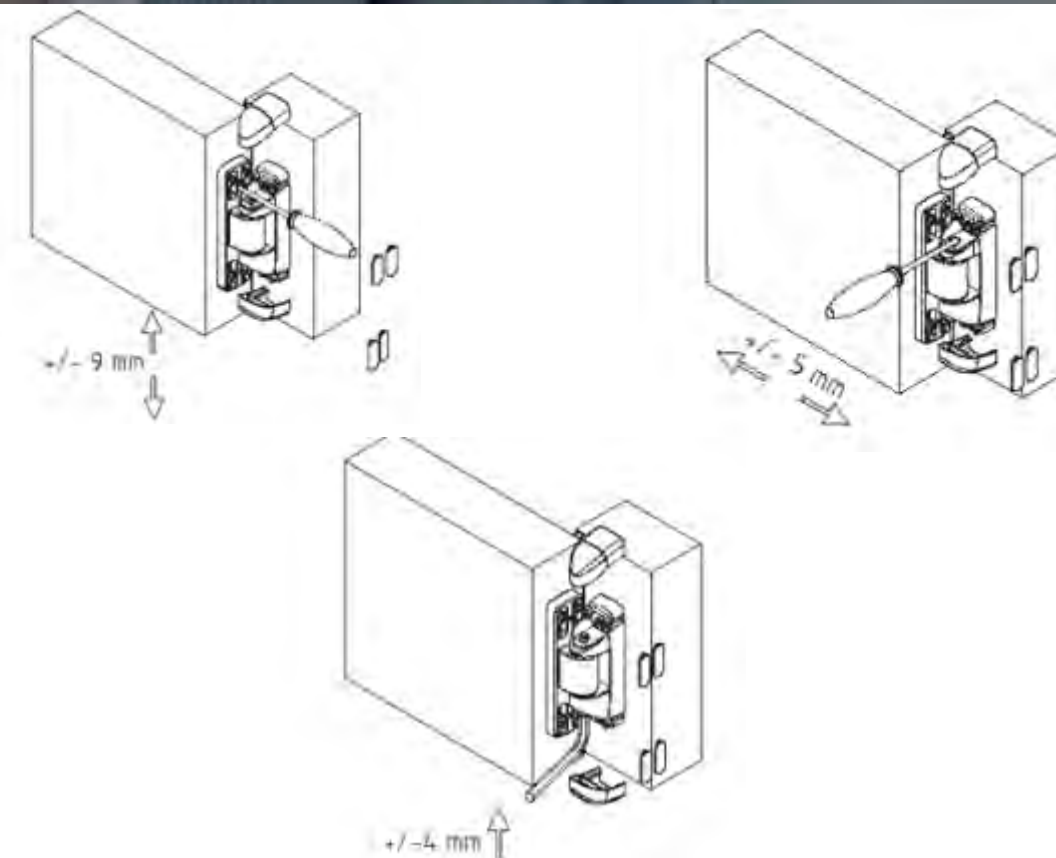
Misa doors mechanisms are preassembled and tested and should not need readjusting on site.

If however, it does need adjusting, our hinges and sliding mechanisms can be easily set with extended tolerance just by removing the plastic cover and loosening the screws.

We suggest to do this adjustment control once the coldroom loaded and functional.



Door adjustment IPS / INS / IPS-G



Door adjustment IPS / INS / IPS-G



BACK TO SUMMARY



MASTERY IN COLDROOMS



This information is confidential and was prepared by Epta solely for our internal use. It is not to be relied on by any third party without Epta prior written consent. Marketing 09/2020

New industrial door

MAIN FEATURES



Main Features

Sustainable conception

Misa industrial door are designed and tested to sustain the most demanding customer use.

All our components have been tested and approved for a minimum of 100.000 opening / closing cycles. It makes Misa the right choice in term of robustness, product life cycle and sustainability.



IPS / INS / IPS-G stress test 100.000 cycles



IP / IN / IP-G stress test 100.000 cycles



BACK TO SUMMARY



This information is confidential and was prepared by Epta solely for our internal use. It is not to be relied on by any third party without Epta prior written consent. Marketing 09/2020

New industrial door

MAIN FEATURES



3

Technical Data

- Dimensions
- Gasket heater consumption



BACK TO SUMMARY



This information is confidential and was prepared by Epta solely for our internal use. It is not to be relied on by any third party without Epta prior written consent. Marketing 09/2020

New
industrial
door
Summary

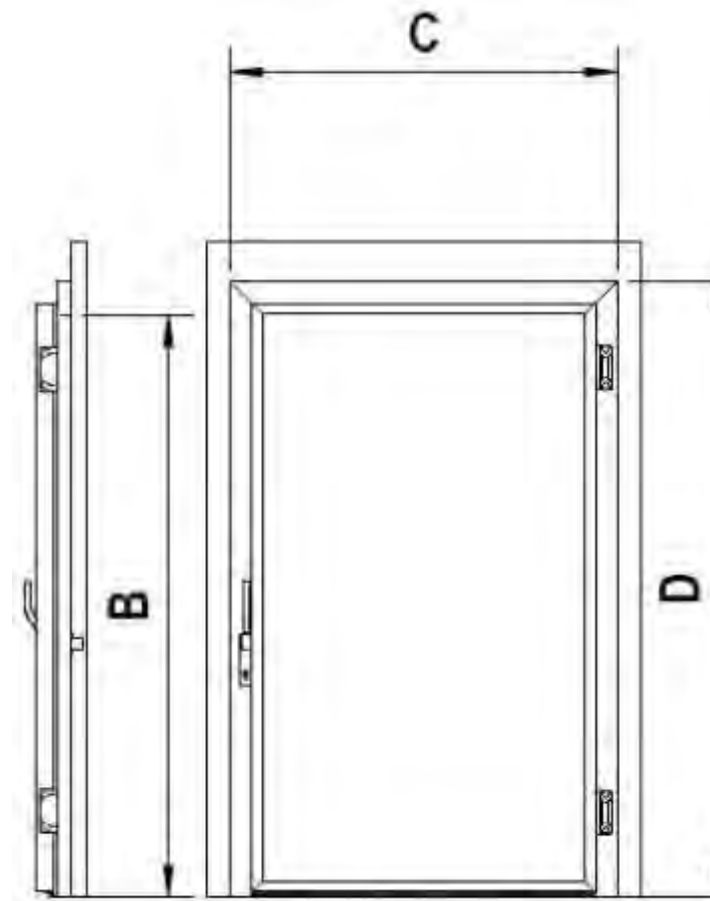




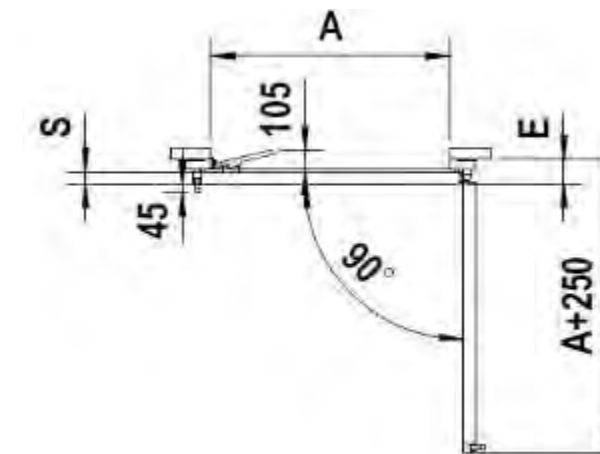
BACK TO SUMMARY



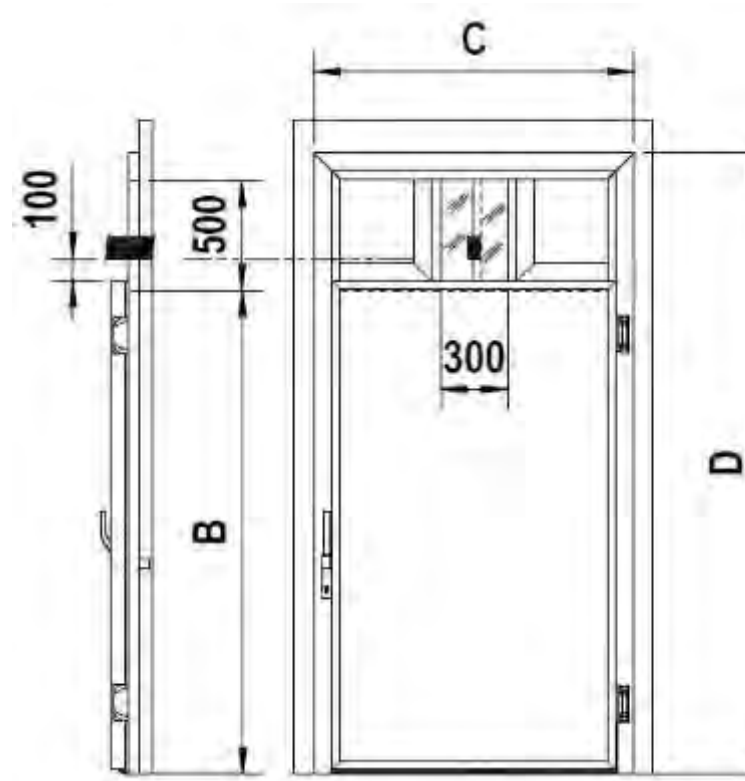
STANDARD MODEL	CLEAR PASSAGE WIDTH	CLEAR PASSAGE HEIGHT	DOOR FRAME WIDTH	DOOR FRAME HEIGHT	DOOR FRAME THICKNESS	DOOR PANEL THICKNESS	DOOR PANEL DIMENSIONS	WORKING CONDITIONS	TOTAL WEIGHT
	A	B	C	D	E	S	mm	° C	kg
IP 10/200	974	2000	1226	2125	125	60	1000X2000	0°	59
IP 10/220	974	2200	1226	2325	125	60	1000X2200	0°	62
IP 12/200	1174	2000	1426	2125	125	60	1200X2000	0°	65
IP 12/220	1174	2200	1426	2325	125	60	1200X2200	0°	72
IP 12/240	1174	2400	1426	2525	125	60	1200X2400	0°	78
IP 14/220	1374	2200	1626	2325	125	60	1400X2200	0°	76
IP 14/240	1374	2400	1626	2525	125	60	1400X2400	0°	83
IP 16/220	1574	2200	1826	2325	125	60	1600X2200	0°	82
IP 16/240	1574	2400	1826	2525	125	60	1600X2400	0°	87
IN 10/200	974	2000	1226	2125	165	100	1000X2000	-25°	64
IN 10/220	974	2200	1226	2325	165	100	1000X2200	-25°	67
IN 12/200	1174	2000	1426	2125	165	100	1200X2000	-25°	70
IN 12/220	1174	2200	1426	2325	165	100	1200X2200	-25°	75
IN 12/240	1174	2400	1426	2525	165	100	1200X2400	-25°	78
IN 14/220	1374	2200	1626	2325	165	100	1400X2200	-25°	80
IN 14/240	1374	2400	1626	2525	165	100	1400X2400	-25°	85
IN 16/220	1574	2200	1826	2325	165	100	1600X2200	-25°	87
IN 16/240	1574	2400	1826	2525	165	100	1600X2400	-25°	92
IP-G 12/220	1174	2200	1426	2325	125	60	1200X2200	0°	63



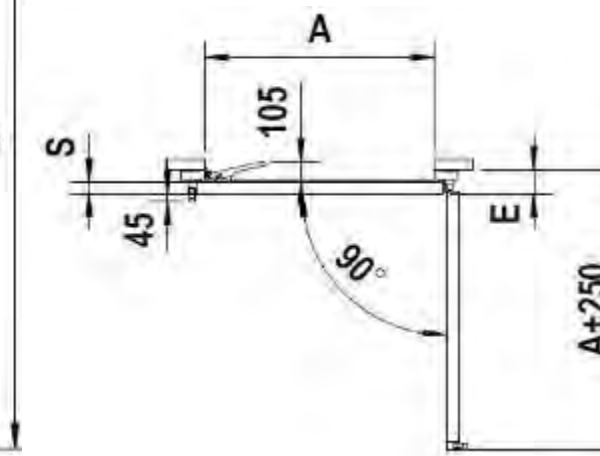
FRONT VIEW



TOP VIEW



FRONT VIEW



TOP VIEW



This information is confidential and was prepared by Epta solely for our internal use. It is not to be relied on by any third party without Epta prior written consent. Marketing 09/2020

New industrial door

TECHNICAL DATA





BACK TO SUMMARY



MASTERY IN COLDROOMS



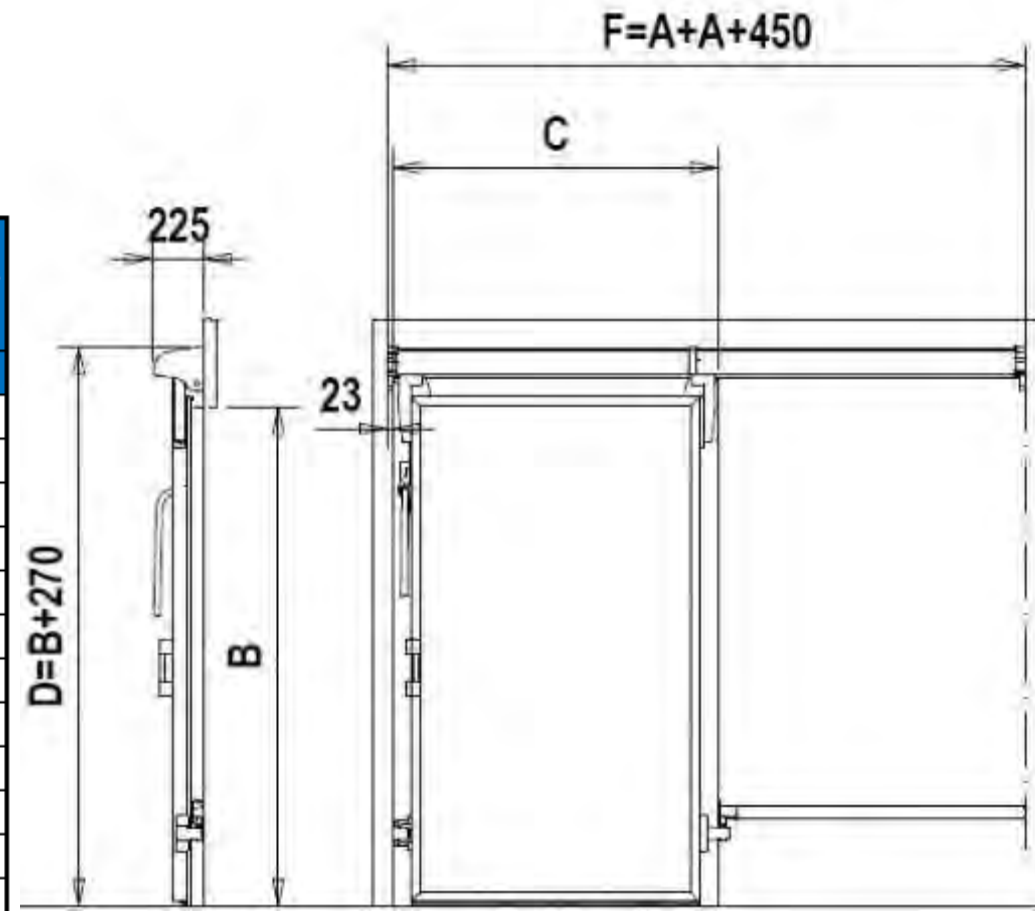
This information is confidential and was prepared by Epta solely for our internal use. It is not to be relied on by any third party without Epta prior written consent. Marketing 09/2020

New industrial door

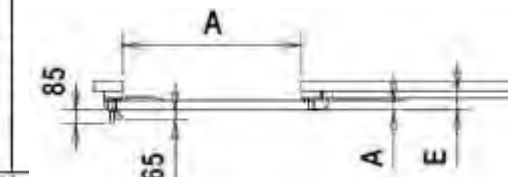
TECHNICAL DATA



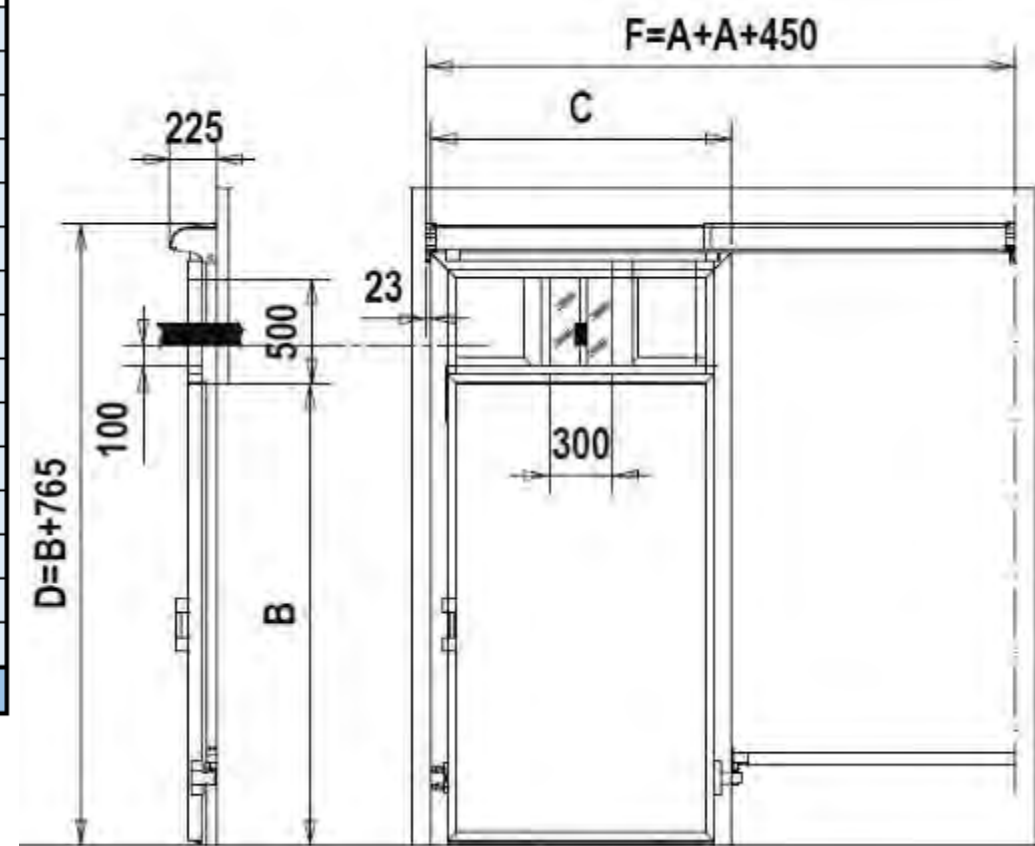
STANDARD MODEL	HANDLE TYPE	CLEAR PASSAGE WIDTH	CLEAR PASSAGE HEIGHT	DOOR FRAME WIDTH	DOOR FRAME HEIGHT	DOOR FRAME THICKNESS	DOOR PANEL THICKNESS	DOOR PANEL DIMENSIONS	WORKING CONDITIONS	TOTAL WEIGHT
		A	B	C	D	E	S	mm	° C	kg
IPS 10/200	Standard	974	2000	1226	2270	135	60	974X2000	0°	68
IPS 10/220	Standard	974	2200	1226	2470	135	60	974X2200	0°	69
IPS 12/200	Standard	1174	2000	1426	2270	135	60	1174x2000	0°	71
IPS 12/220	Standard	1174	2200	1426	2470	135	60	1174x2200	0°	72
IPS-12/240	Standard	1174	2400	1426	2670	135	60	1174x2400	0°	79
IPS 14/220	Standard	1374	2200	1626	2470	135	60	1374x2200	0°	79
IPS 14/240	Standard	1374	2400	1626	2670	135	60	1374x2400	0°	81
IPS 16/220	Standard	1574	2200	1826	2470	135	60	1574x2200	0°	85
IPS 16/240	Standard	1574	2400	1826	2670	135	60	1574x2400	0°	87
IPS 16/280	Standard	1574	2800	1826	3070	135	60	1574x2800	0°	108
IPS 20/240	Lever	1974	2400	2226	2670	135	60	1974x2400	0°	150
IPS 20/280	Lever	1974	2800	2226	3070	135	60	1974x2800	0°	163
IPS 20/320	Lever	1974	3200	2226	3470	135	60	1974x3200	0°	175
IPS 24/280	Lever	2374	2800	2626	3070	135	60	2374x2800	0°	185
IPS 24/320	Lever	2374	3200	2626	3470	135	60	2374x3200	0°	192
INS 10/200	Standard	974	2000	1226	2270	175	100	974X2000	-25°	73
INS 10/220	Standard	974	2200	1226	2470	175	100	974X2200	-25°	75
INS 12/200	Standard	1174	2000	1426	2270	175	100	1174x2000	-25°	77
INS 12/220	Standard	1174	2200	1426	2470	175	100	1174x2200	-25°	79
INS-12/240	Standard	1174	2400	1426	2670	175	100	1174x2400	-25°	81
INS 14/220	Standard	1374	2200	1626	2470	175	100	1374x2200	-25°	87
INS 14/240	Standard	1374	2400	1626	2670	175	100	1374x2400	-25°	89
INS 16/220	Standard	1574	2200	1826	2470	175	100	1574x2200	-25°	93
INS 16/240	Standard	1574	2400	1826	2670	175	100	1574x2400	-25°	97
INS 16/280	Standard	1574	2800	1826	3070	175	100	1574x2800	-25°	119
INS 20/240	Lever	1974	2400	2226	2670	175	100	1974x2400	-25°	162
INS 20/280	Lever	1974	2800	2226	3070	175	100	1974x2800	-25°	177
INS 20/320	Lever	1974	3200	2226	3470	175	100	1974x3200	-25°	191
INS 24/280	Lever	2374	2800	2626	3070	175	100	2374x2800	-25°	201
INS 24/320	Lever	2374	3200	2626	3470	175	100	2374x3200	-25°	211
IPS-G 12/220	Standard	1174	2200	1426	2965	135	60	1174x2200	0°	76



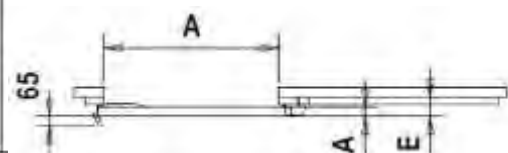
FRONT VIEW



TOP VIEW



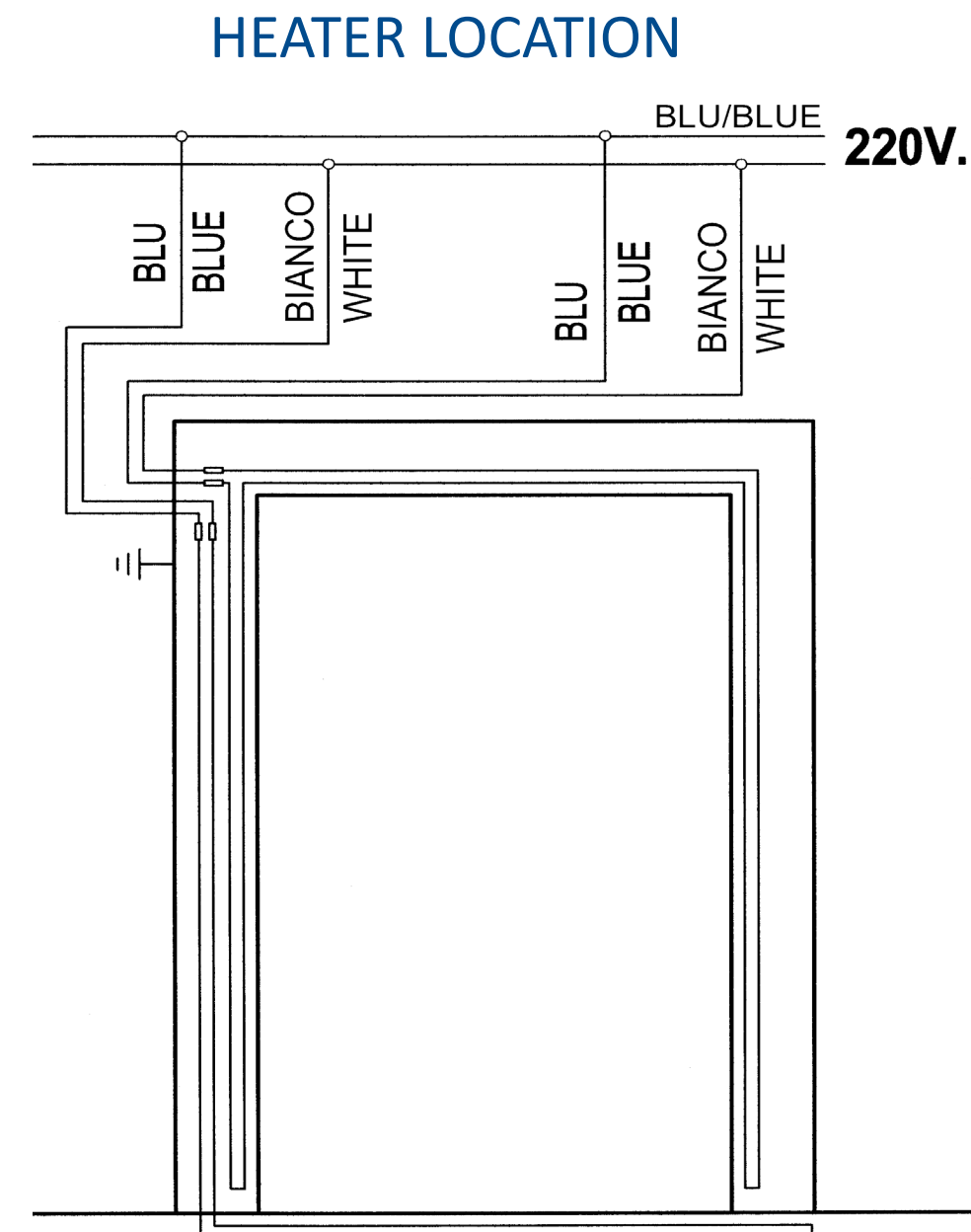
FRONT VIEW



TOP VIEW

DOOR MODEL		GASKET HEATER CONSUMPTION	
		Watts	
HINGED	IN 10/200	298	
	IN 10/220	315	
	IN 12/200	298	
	IN 12/220	315	
	IN 12/240	333	
	IN 14/220	373	
	IN 14/240	390	
	IN 16/220	373	
	IN 16/240	390	
SLIDING	INS 10/200	298	
	INS 10/220	315	
	INS 12/200	298	
	INS 12/220	315	
	INS-12/240	333	
	INS 14/220	373	
	INS 14/240	390	
	INS 16/220	373	
	INS 16/240	390	
	INS 16/280	417	
	INS 20/240	457	
	INS 20/280	466	
	INS 20/320	501	
	INS 24/280	523	
	INS 24/320	558	

SHIELDED HEATING ELEMENT
POWER 22 W/M



NEGATIVE APPLICATION ONLY



BACK TO SUMMARY



MASTERY IN COLDROOMS



This information is confidential and was prepared by Epta solely for our internal use. It is not to be relied on by any third party without Epta prior written consent. Marketing 09/2020

New industrial door

TECHNICAL DATA



4

Product Offer

- IP/IN/IP-G Hinged door
- IPS/INS/IPS-G Sliding door
- Hinges
- Sliding rail
- Handles
- Threshold
- Internal options
- External options
- Meat rail
- Rail roof support
- Phased out products



BACK TO SUMMARY



This information is confidential and was prepared by Epta solely for our internal use. It is not to be relied on by any third party without Epta prior written consent. Marketing 09/2020

New
industrial
door
Summary



Standard product range* :

NEW INDUSTRIAL MISA DOOR

Tickness (mm)	Opening (mm)	Height (mm)	IN	IP	IP-G	
60	1000	2000		✓		
		2200		✓		
	1200	2000			✓	
		2200			✓	✓
		2400			✓	
	1400	2200			✓	
2400				✓		
1600	2200			✓		
	2400			✓		
100	1000	2000	✓			
		2200	✓			
	1200	2000	✓			
		2200	✓			
		2400	✓			
	1400	2200	✓			
		2400	✓			
		2200	✓			
1600	2200	✓				
	2400	✓				



BACK TO SUMMARY



This information is confidential and was prepared by Epta solely for our internal use. It is not to be relied on by any third party without Epta prior written consent. Marketing 09/2020

New industrial door

PRODUCT OFFER



*Additional dimensions on demand



This information is confidential and was prepared by Epta solely for our internal use. It is not to be relied on by any third party without Epta prior written consent. Marketing 09/2020

New industrial door

PRODUCT OFFER

NEW INDUSTRIAL MISA DOOR

Tickness (mm)	Opening (mm)	Height (mm)	INS	IPS	IPS-G	
60	1000	2000		✓		
		2200		✓		
		2400		✓		
	1200	2000			✓	
		2200			✓	✓
		2400			✓	✓
100	1400	2200		✓		
		2400		✓		
		2400		✓		
	1600	2200	✓		✓	
		2400	✓		✓	
		2800	✓		✓	
2000	2400	✓		✓		
	2800	✓		✓		
	3200	✓		✓		
2400	2800	✓		✓		
	3200	✓		✓		



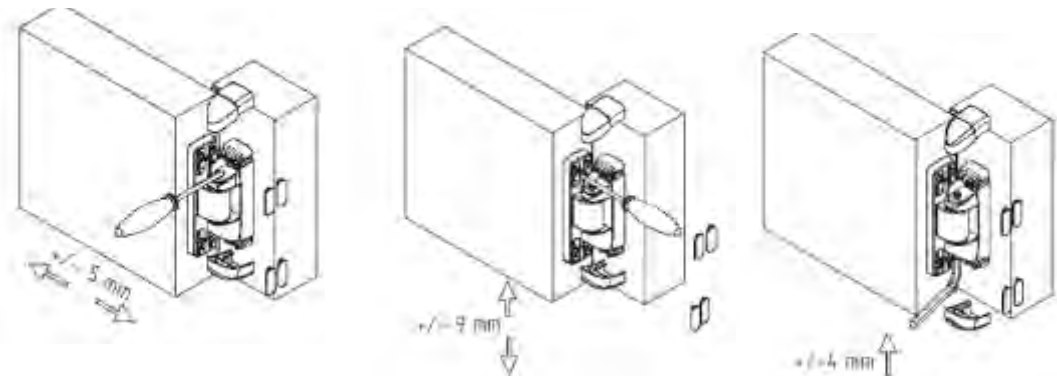
*Additional dimensions on demand

Main Features | Hinges

IP/IN/IP-G Hinged door version

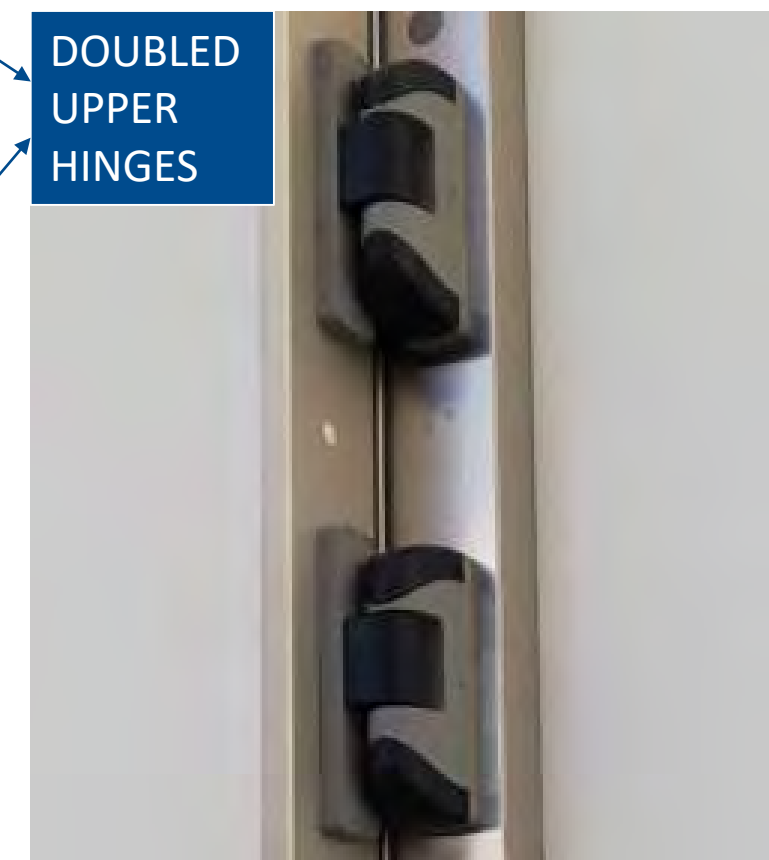
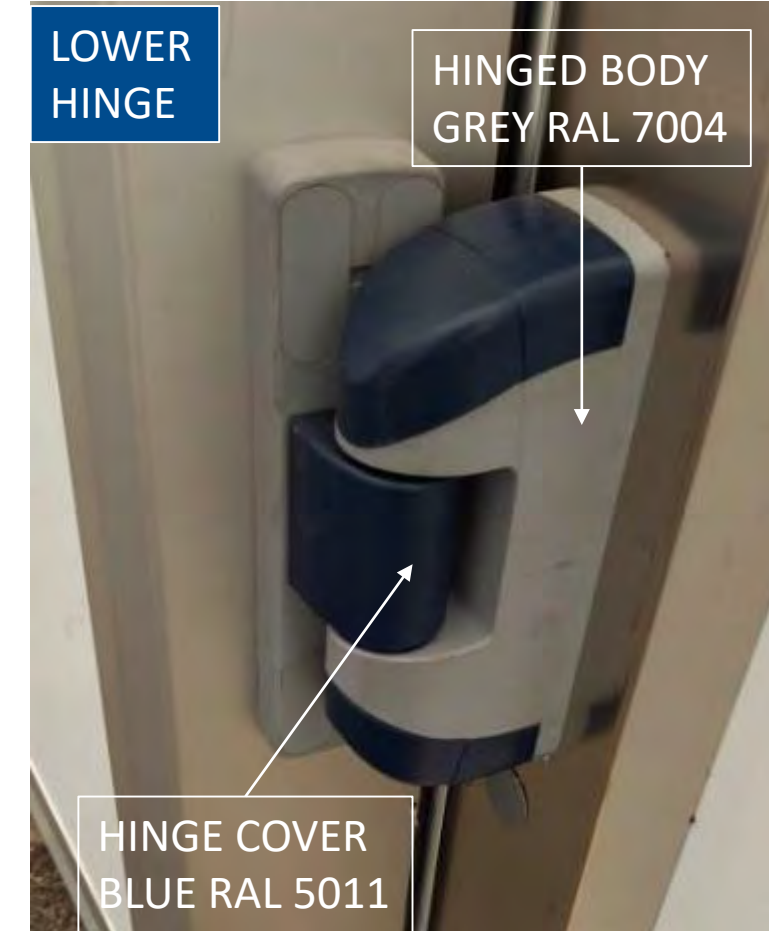
- Adjustable hinges in composite material
- Double vertical adjustment
- Anti-slip pin
- Self-lubricating ramp
- Soft closing ramp

Adjustment	Tool	Tolerance
Horizontal	Screwdriver	+/- 5mm
Vertical	Screwdriver	+/- 9mm
Vertical	Allen key	+/- 4mm



Adjustment tools

DOOR MODEL	QTY OF HINGES
IP 10/200	2
IP 10/220	2
IP 12/200	2
IP 12/220	2
IP 12/240	2
IP 14/220	3
IP 14/240	3
IP 16/220	3
IP 16/240	3
IN 10/200	2
IN 10/220	2
IN 12/200	2
IN 12/220	2
IN 12/240	2
IN 14/220	3
IN 14/240	3
IN 16/220	3
IN 16/240	3
IP-G 12/220	2



BACK TO SUMMARY



MASTERY IN COLDROOMS



New industrial door

PRODUCT OFFER



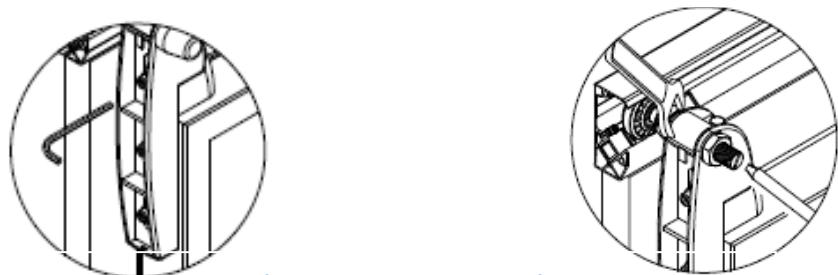
This information is confidential and was prepared by Epta solely for our internal use. It is not to be relied on by any third party without Epta prior written consent. Marketing 09/2020

Product Offer | Sliding rail

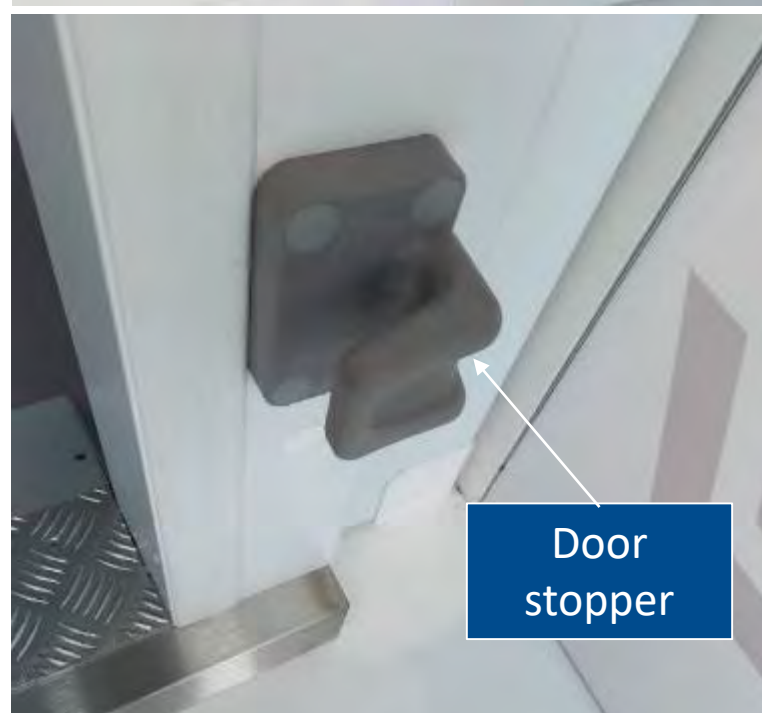
IPS/INS/IPS-G sliding door version

- Anodized aluminum rail supplied in 2 sections with the possibility of shortening
- Right or left opening direction
- Robust wheel in composite material
- Adjustable brackets protection with screw cover caps
- Wall guide and anti-derailment system
- Door stopper
- Rail installation on panels or on the roof as option

Adjustment	Tool	Tolerance
Vertical	Allen key	+/- 7mm
Depth	Screwdriver and open-end wrench	+/- 6mm



Adjustment tools



BACK TO SUMMARY



MASTERY IN COLDROOMS



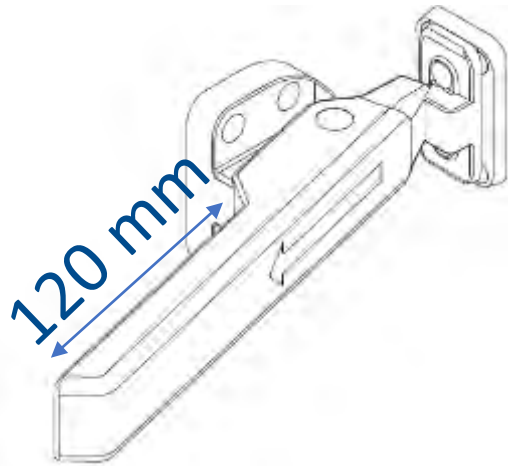
This information is confidential and was prepared by Epta solely for our internal use. It is not to be relied on by any third party without Epta prior written consent. Marketing 09/2020

New industrial door

PRODUCT OFFER



Internal handle IP/IN/IP-G (standard)



Internal handle IPS/INS/IPS-G (standard)



Internal handle IPS/INS/IPS-G (option)



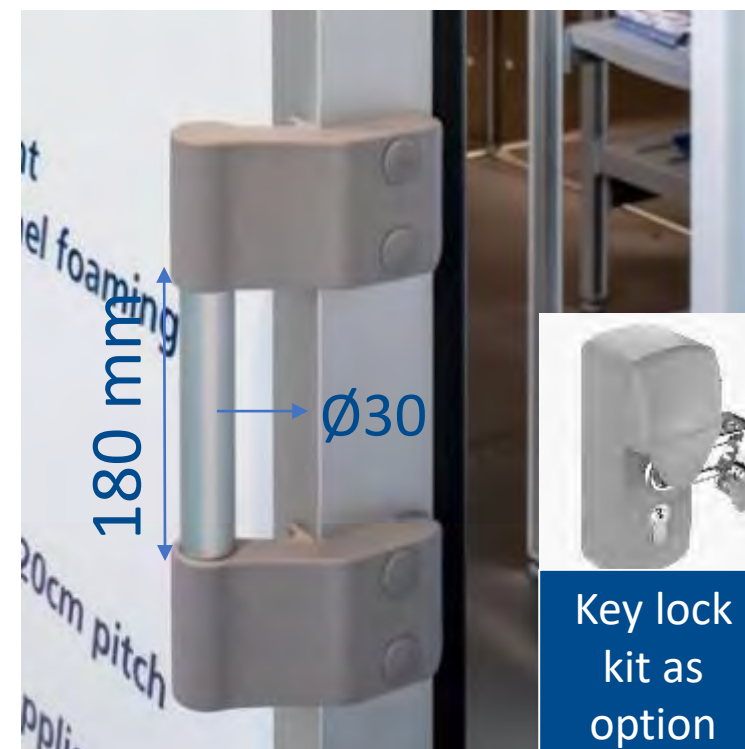
Lever type

External handle IP/IN/IP-G (standard)



Integrated key lock as option

External handle IPS/INS/IPS-G (standard)



Key lock kit as option

External handle IPS/INS/IPS-G (option)



Lever type

Key lock kit as option



BACK TO SUMMARY



MASTERY IN COLDROOMS



This information is confidential and was prepared by Epta solely for our internal use. It is not to be relied on by any third party without Epta prior written consent. Marketing 09/2020

New industrial door

PRODUCT OFFER



Product Offer | Threshold

Misa industrial door standard threshold offer



BACK TO SUMMARY



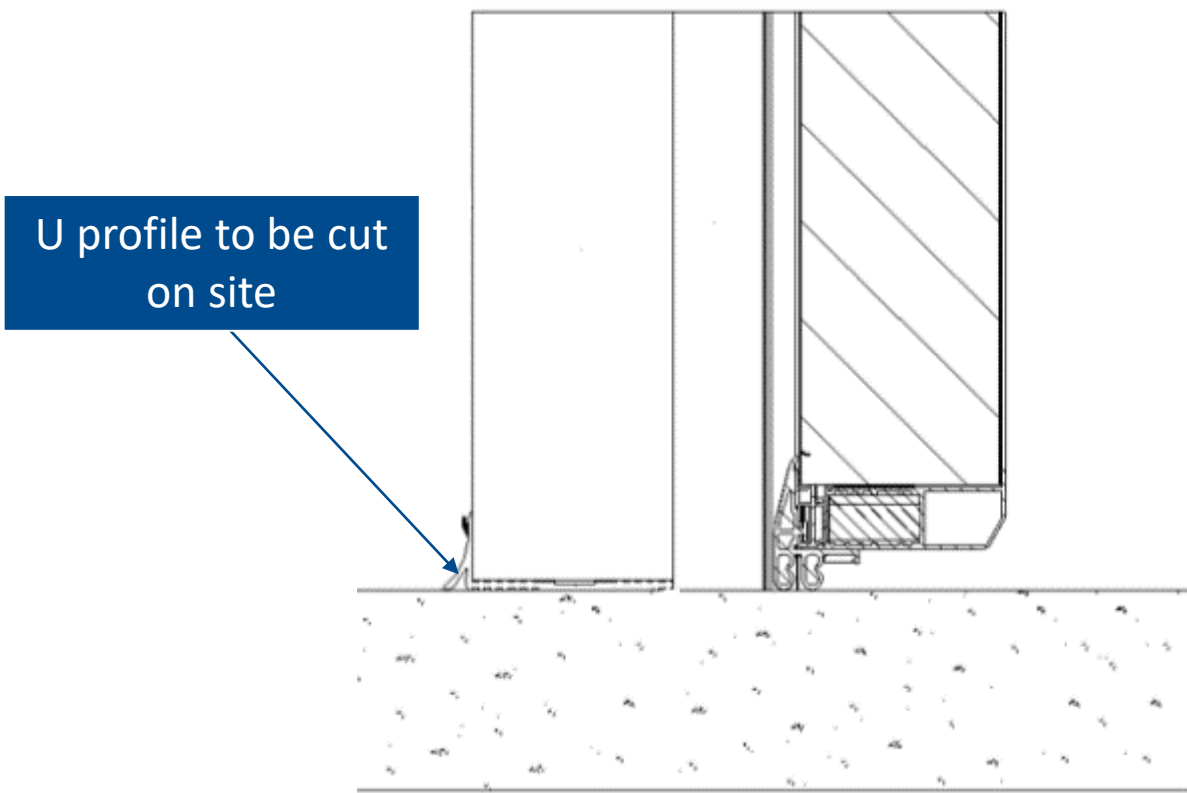
MASTERY IN COLDROOMS 



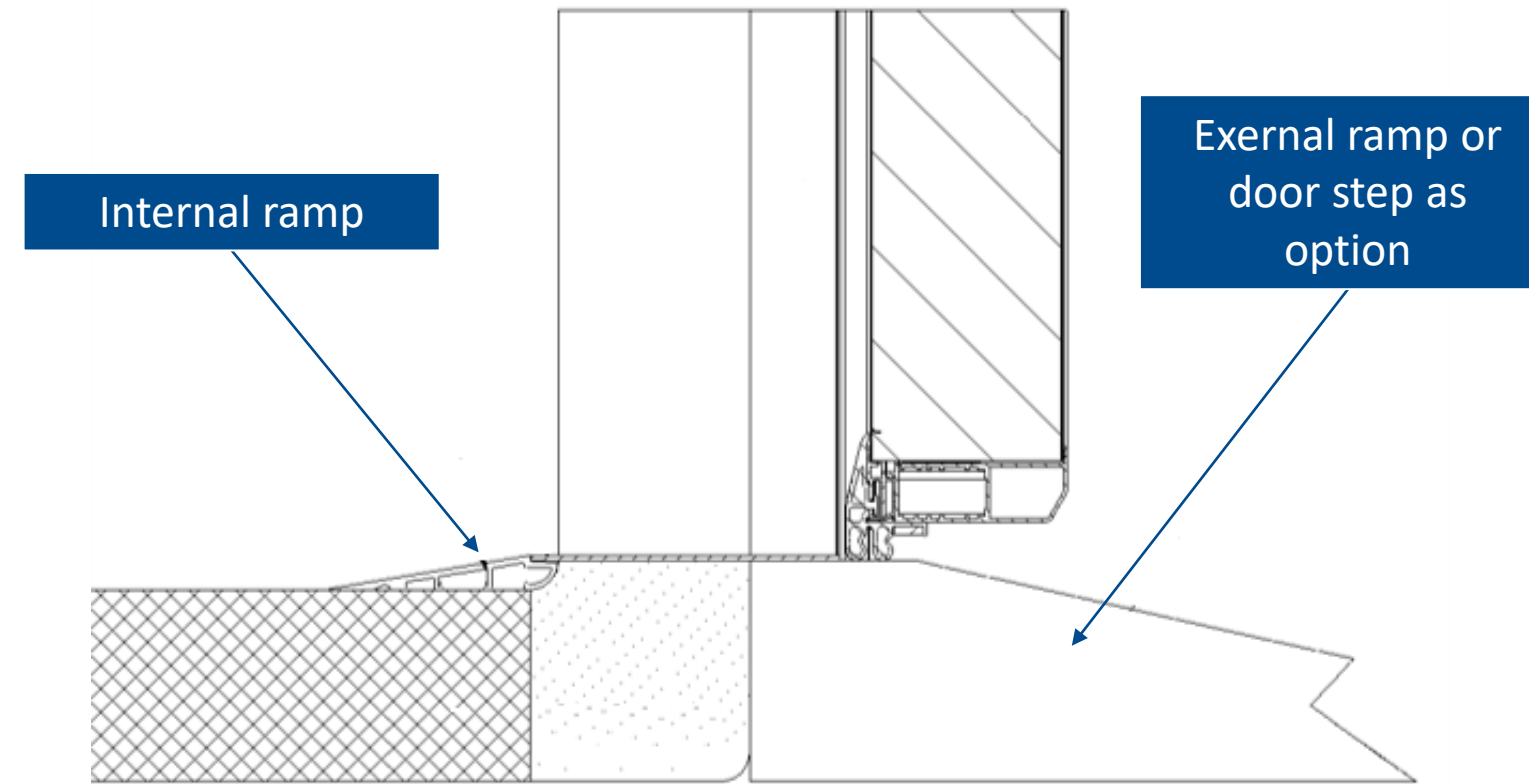
This information is confidential and was prepared by Epta solely for our internal use. It is not to be relied on by any third party without Epta prior written consent. Marketing 09/2020

New industrial door

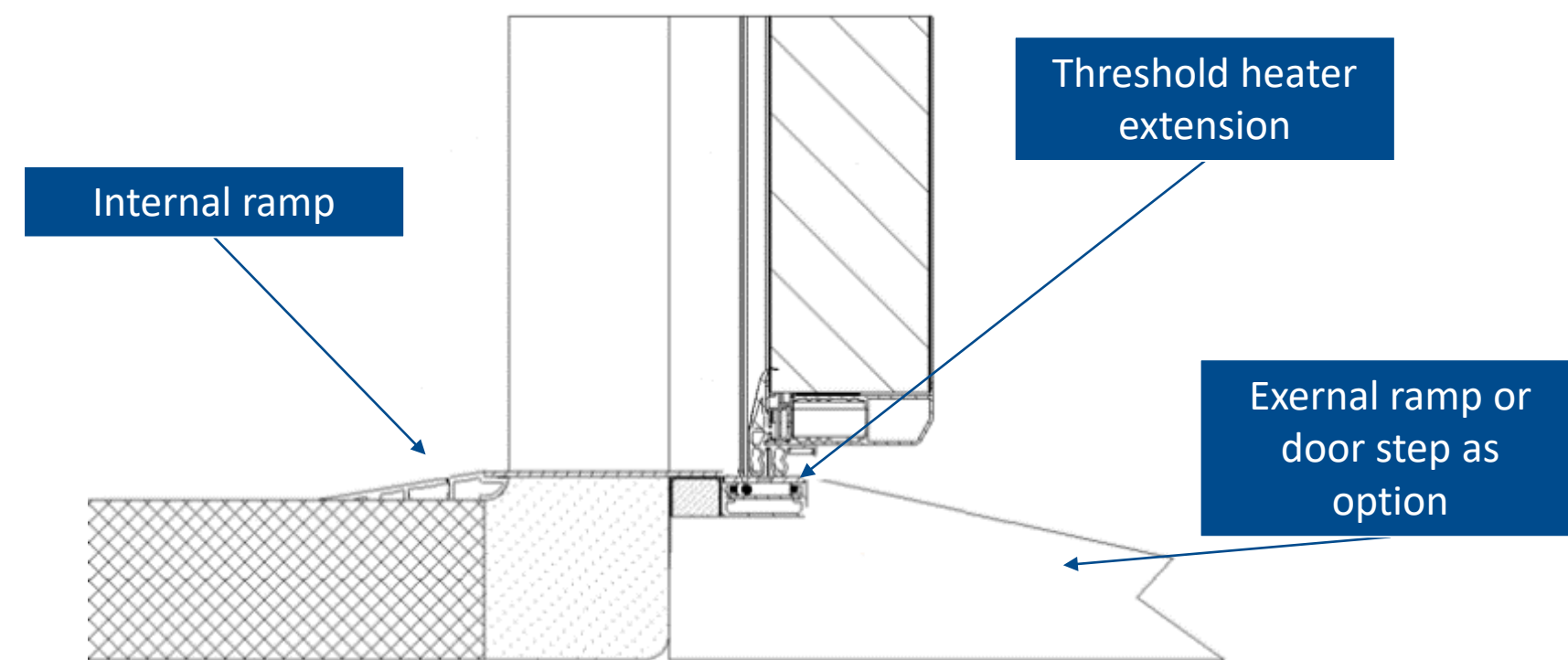
PRODUCT OFFER



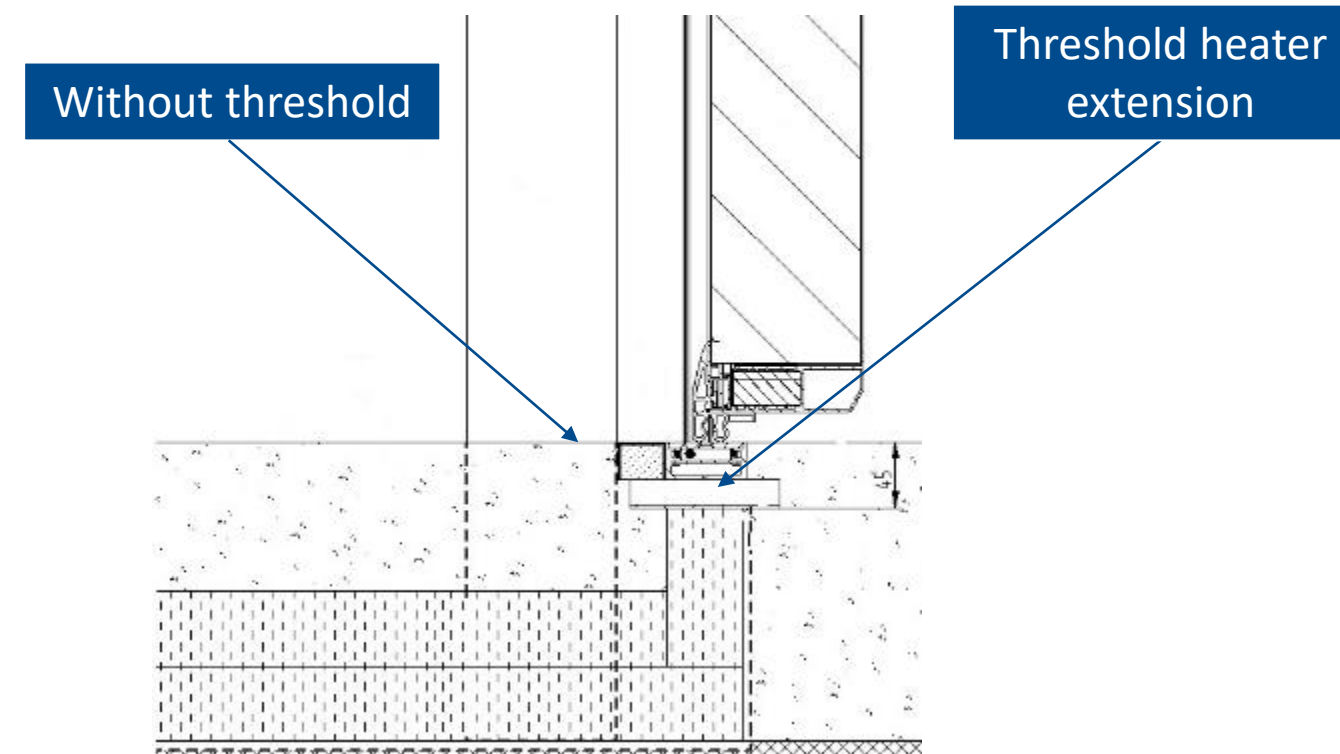
POSITIVE WITHOUT FLOOR



POSITIVE WITH MISA FLOOR



NEGATIVE WITH MISA FLOOR



NEGATIVE WITH IMBEDDED FLOOR

Product Offer

Internal options

Several internal door options are available as standard

Side cover mm 60-80-100-120-130-150-180-200 Epta Food Defence RAL 9010 thickness 10/10

Side cover mm 60-80-100-120-130-150-180-200 AISI 304 stainless steel 10/10

Optional

Internal ramp aluminium profile with side cover

Threshold cover 40/10 galvanized metal sheet



BACK TO SUMMARY



This information is confidential and was prepared by Epta solely for our internal use. It is not to be relied on by any third party without Epta prior written consent. Marketing 09/2020

New industrial door

PRODUCT OFFER



Product Offer

External options

Several external door options are available as standard



Set Oblo
300*450mm
With Heated frame for negative
application

Door protection
H = 1000mm
Aluminium 15/10 or AISI 304 stainless
steel as option

COMMERCIAL DOOR PICTURE



Threshold step



External ramp
galvanized metal sheet 30/10

COMMERCIAL DOOR PICTURE



BACK TO SUMMARY



MASTERY IN COLDROOMS



This information is confidential and was prepared by Epta solely for our internal use. It is not to be relied on by any third party without Epta prior written consent. Marketing 09/2020



New industrial door

PRODUCT OFFER



Product Offer

Meat rail

Exclusive for IP-G and IPS-G



BACK TO SUMMARY



MASTERY IN COLDROOMS



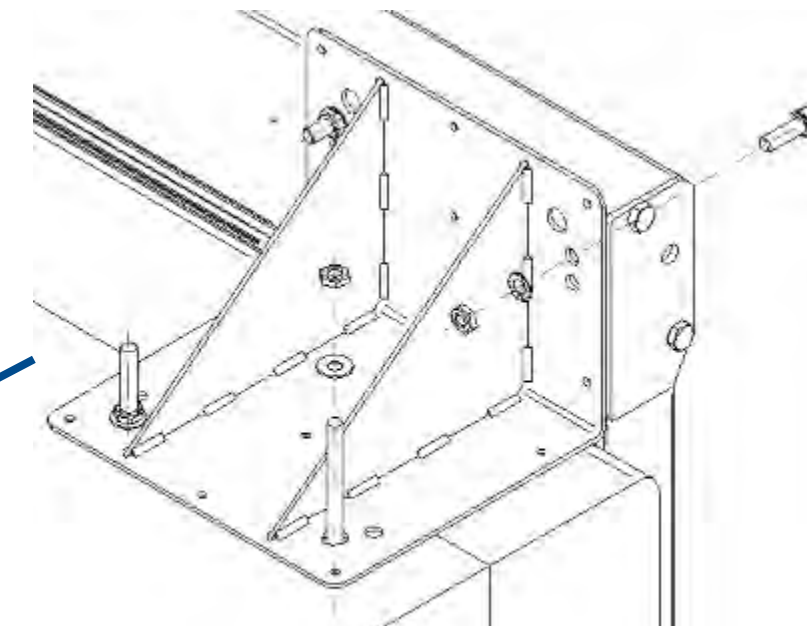
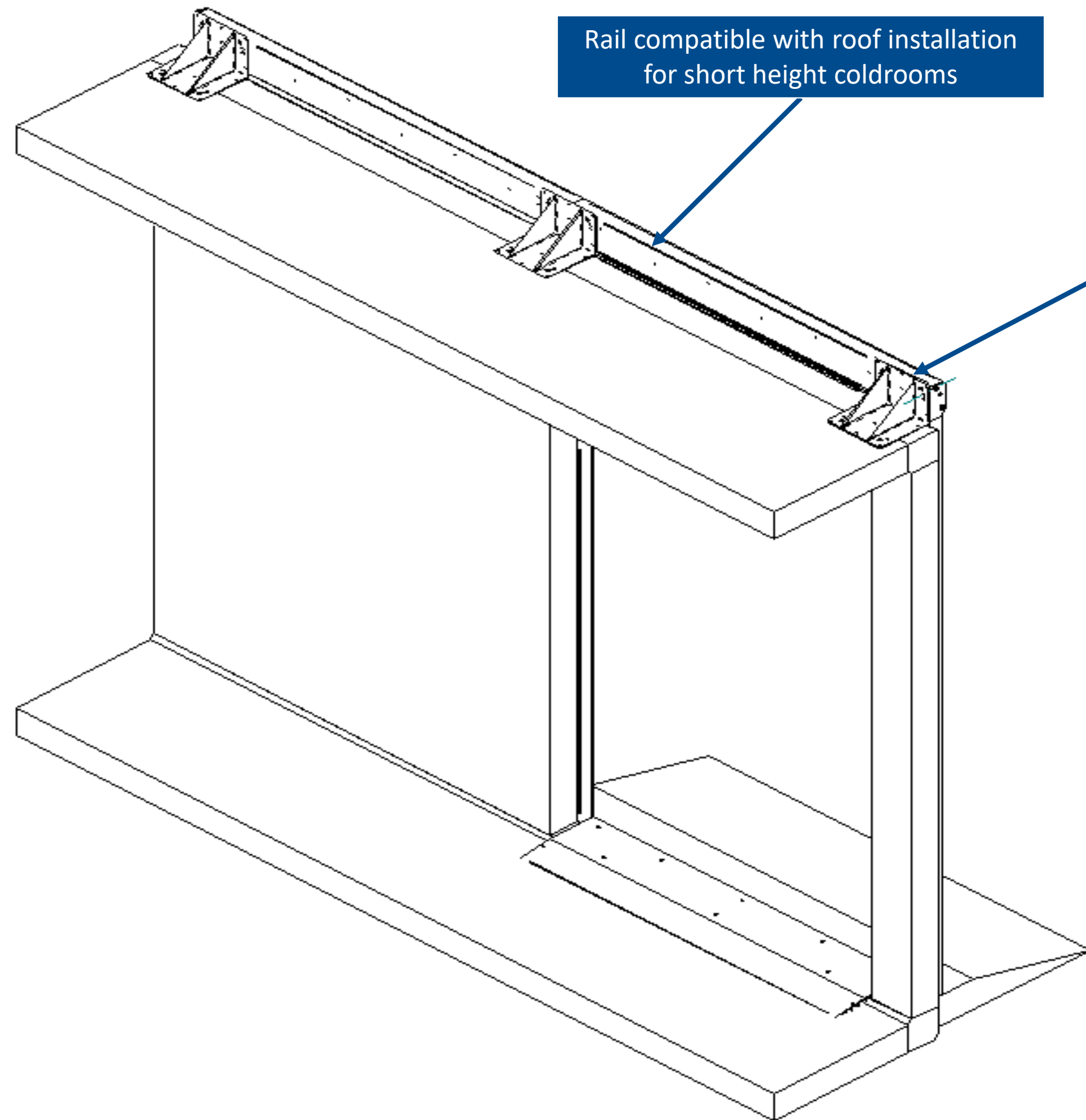
This information is confidential and was prepared by Epta solely for our internal use. It is not to be relied on by any third party without Epta prior written consent. Marketing 09/2020

New industrial door

PRODUCT OFFER



Exclusive for IPS and INS sliding



BACK TO SUMMARY



This information is confidential and was prepared by Epta solely for our internal use. It is not to be relied on by any third party without Epta prior written consent. Marketing 09/2020

New industrial door

PRODUCT OFFER



Product Offer

Industrial positive with floor

MS0997717	PORTA/PP	11/220 S6 CP DX 2011
MS0997718	PORTA/PP	11/220 S6 CP SX 2011
MS0997721	PORTA/PP	12/200 S6 CP DX2011
MS0997722	PORTA/PP	12/200 S6 CP SX 2011
MS0997725	PORTA/PP	12/240 S6 CP DX 2011
MS0997726	PORTA/PP	12/240 S6 CP SX 2011
MS0997729	PORTA/PP	16/240 S6 CP DX 2011
MS0997730	PORTA/PP	16/240 S6 CP SX 2011
MS0997745	PORTA/PP	12/220 G S6 CP DX 2011
MS0997746	PORTA/PP	12/220 G S6 CP SX 2011
MS0997751	PORTA/PPS	12/200 S6 CP DX 2011
MS0997752	PORTA/PPS	12/200 S6 CP SX 2011
MS0997755	PORTA/PPS	12/240 S6 CP DX 2011
MS0997756	PORTA/PPS	12/240 S6 CP SX 2011
MS0997759	PORTA/PPS	16/240 S10 CP DX2011
MS0997760	PORTA/PPS	16/240 S10 CP SX 2011
MS0997763	PORTA/PPS	16/280 S10 CP DX 2011
MS0997764	PORTA/PPS	16/280 S10 CP SX 2011
MS0997767	PORTA/PPS	20/240 S10 CP DX 2011
MS0997768	PORTA/PPS	20/240 S10 CP SX 2011
MS0997771	PORTA/PPS	20/280 S10 CP DX 2011
MS0997772	PORTA/PPS	20/280 S10 CP SX 2011
MS0997775	PORTA/PPS	20/320 S10 CP DX 2011
MS0997776	PORTA/PPS	20/320 S10 CP SX 2011
MS0997779	PORTA/PPS	24/320 S10 CP DX 2011
MS0997780	PORTA/PPS	24/320 S10 CP SX 2011
MS0997783	PORTA/PPS	10/200 S6 CP DX 2011
MS0997784	PORTA/PPS	10/200 S6 CP SX 2011
MS0997901	PORTA/PPS	12/220G S6 CP DX 2011
MS0997902	PORTA/PPS	12/220G S6 CP SX 2011
MS0997905	PORTA/PPS	12/320 G S10 CP DX 2011
MS0997906	PORTA/PPS	12/320 G S10 CP SX 2011
MS0997909	PORTA/PPS	16/220 G S10 CP DX 2011
MS0997910	PORTA/PPS	16/220 G S10 CP SX 2011
MS0997913	PORTA/PPS	16/320 G S10 CP DX 2011
MS0997914	PORTA/PPS	16/320 G S10 CP SX 2011
MS0997965	PORTA/PP	12/220 S6 CP DX 2011
MS0997966	PORTA/PP	12/220 S6 CP SX 2011
MS0997969	PORTA/PP	16/220 S6 CP DX 2011
MS0997970	PORTA/PP	16/220 S6 CP SX 2011
MS0997981	PORTA/PPS	12/220 S6 CP DX 2011
MS0997982	PORTA/PPS	12/220 S6 CP SX 2011
MS0997985	PORTA/PPS	16/220 S10 CP DX 2011
MS0997986	PORTA/PPS	16/220 S10 CP SX 2011

Phased out products

Industrial negative with floor

MS0997821	PORTA/PNS	20/240 S10 CP DX 2011
MS0997822	PORTA/PNS	20/240 S10 CP SX 2011
MS0997829	PORTA/PNS	20/280 S10 CP DX 2011
MS0997830	PORTA/PNS	20/280 S10 CP SX 2011
MS0997837	PORTA/PNS	20/320 S10 CP DX 2011
MS0997838	PORTA/PNS	20/320 S10 CP SX 2011
MS0997845	PORTA/PNS	24/320 S10 CP DX 2011
MS0997846	PORTA/PNS	24/320 S10 CP SX 2011
MS0997993	PORTA/PNS	16/220 S10 CP DX 2011
MS0997994	PORTA/PNS	16/220 S10 CP SX 2011

Industrial S13

MS0997817	PORTA/PNS	16/280 S13 CP DX 2011
MS0997818	PORTA/PNS	16/280 S13 CP SX 2011
MS0997819	PORTA/PNS	16/280 S13 SP DX 2011
MS0997820	PORTA/PNS	16/280 S13 SP SX 2011
MS0997825	PORTA/PNS	20/240 S13 CP DX 2011
MS0997826	PORTA/PNS	20/240 S13 CP SX 2011
MS0997827	PORTA/PNS	20/240 S13 SP DX 2011
MS0997828	PORTA/PNS	20/240 S13 SP SX 2011
MS0997833	PORTA/PNS	20/280 S13 CP DX 2011
MS0997834	PORTA/PNS	20/280 S13 CP SX 2011
MS0997835	PORTA/PNS	20/280 S13 SP DX 2011
MS0997836	PORTA/PNS	20/280 S13 SP SX 2011
MS0997841	PORTA/PNS	20/320 S13 CP DX 2011
MS0997842	PORTA/PNS	20/320 S13 CP SX 2011
MS0997843	PORTA/PNS	20/320 S13 SP DX 2011
MS0997844	PORTA/PNS	20/320 S13 SP SX 2011
MS0997849	PORTA/PNS	24/320 S13 CP DX 2011
MS0997850	PORTA/PNS	24/320 S13 CP SX 2011
MS0997851	PORTA/PNS	24/320 S13 SP DX 2011
MS0997852	PORTA/PNS	24/320 S13 SP SX 2011

Sliding without frame

MS0998101	PPS - ST	8/200 DX
MS0998102	PPS - ST	8/200 SX
MS0998103	PPS - ST	10/200 DX
MS0998104	PPS - ST	10/200 SX
MS0998105	PPS - ST	10/220 DX
MS0998106	PPS - ST	10/220 SX
MS0998107	PPS - ST	12/200 DX
MS0998108	PPS - ST	12/200 SX
MS0998109	PPS - ST	12/220 DX
MS0998110	PPS - ST	12/220 SX
MS0998111	PPS - ST	16/220 DX
MS0998112	PPS - ST	16/220 SX
MS0998113	PPS - ST	16/240 DX
MS0998114	PPS - ST	16/240 SX

Low rotation

MS0997907	PORTA/PPS	12/320 G S10 SP DX 2011
MS0997908	PORTA/PPS	12/320 G S10 SP SX 2011
MS0997911	PORTA/PPS	16/220 G S10 SP DX 2011
MS0997912	PORTA/PPS	16/220 G S10 SP SX 2011
MS0997915	PORTA/PPS	16/320 G S10 SP DX 2011
MS0997916	PORTA/PPS	16/320 G S10 SP SX 2011
MS0998203	PORTA/PP	95/200 BELGIO SP DX 2011
MS0998204	PORTA/PP	95/200 BELGIO SP SX 2011



BACK TO SUMMARY



MASTERY IN COLDROOMS



This information is confidential and was prepared by Epta solely for our internal use. It is not to be relied on by any third party without Epta prior written consent. Marketing 09/2020

New industrial door

PRODUCT OFFER



www.misa-coldrooms.com



MASTERY IN COLDROOMS

